

# caldo

HORIZONTAL RADIATORS

VERTICAL RADIATORS

C O N V E C T O R S

TECHNICAL  
SPECIFICATIONS

**Senso  
therm**  
*heat with style*

In this brochure, are details of the designer plank effect **Caldo radiators** offered by **Sensotherm**, a company with **over 33 years experience** serving the UK commercial heating market. From our head office in Telford, Sensotherm covers all of your radiator requirements with a range encompassing everything from Steel Panel to Towel Rails and LST to Cast Iron; all backed by our technical support, **high quality** and **value for money**.

### Sensotherm Mission Statement

At Sensotherm, we supply quality tested products that comply to all relevant EU & UK requirements on product performance and liability. We conduct our business in an ethical, caring and environmentally friendly manner we strive to give our clients 100% satisfaction at all times.

### Temperature tables

The outputs quoted in this leaflet are based on mean water temperature in the radiator of 90°C and room temperature 20°C  $\Delta t$  60°C and 70°C and room temperature 20°C  $\Delta t$  50°C.

**For other operating conditions apply factors shown in the tables below, at  $\Delta t$  60°C figures.**

5°C	0.046	30°C	0.432	55°C	0.898
10°C	0.108	35°C	0.512	60°C	1.000
15°C	0.179	40°C	0.605	65°C	1.104
20°C	0.256	45°C	0.700	70°C	1.211
25°C	0.338	50°C	0.789	75°C	1.319

### Complimentary Products

#### Saferad LST:

An extensive range of B.S.R.I.A. tested LST radiators from a company with 33 years experience of manufacturing LST radiators.

#### Concept Ultra 2000:

A high quality range of Compact Steel Panel Radiators.

#### Concept Ultra 5000:

A designer Flat Fronted Radiator range in Horizontal and Vertical form.

#### Towel Rails:

Both flat and curved towel rails in both White and Chrome.

#### Shropshire:

High quality tubular steel column radiators.

#### Regal:

Cast Iron radiators in both traditional and decorative styles.

#### Valves:

A full range of high quality complimentary radiator valves are available.

## Contents

**caldo line** radiators

**3 - 5**

**caldo heavy duty** horizontal radiators

**6 - 10**

**caldo heavy duty** vertical radiators

**11 - 12**

**caldo column** radiators

**13 - 14**

**caldo low level** convectors

**15 - 23**

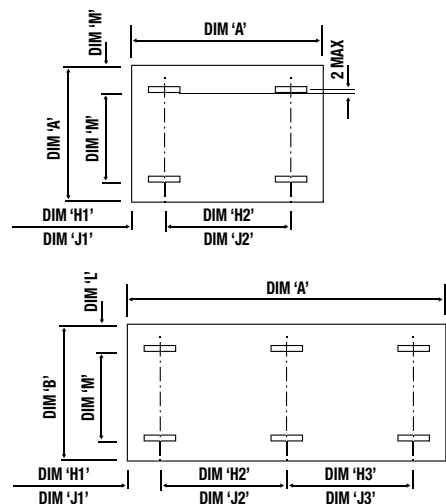


The Caldoline is the exciting **new entry level model**, allowing you a radiator with the designer groove effect, but utilising the **latest panel radiator technology**.

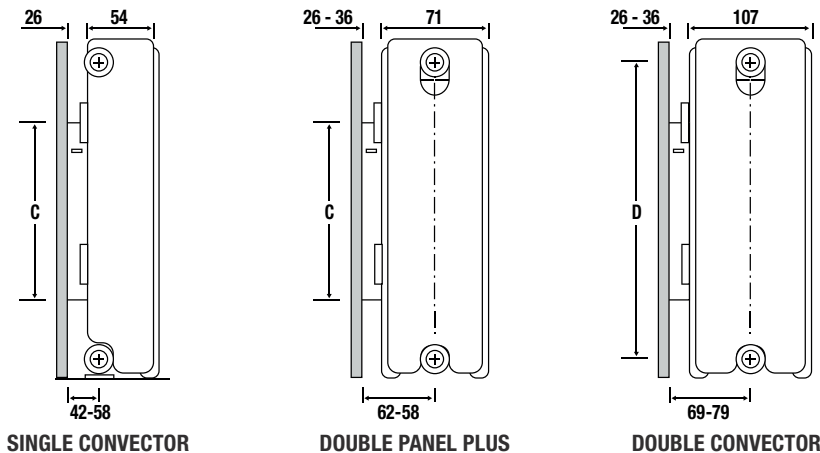


As you would expect from Sensotherm, despite its competitive price it is still supplied with top grilles and side panels and an excellent RAL 9016 White paint finish. Manufactured from 1.15mm steel the Caldoline is supplied with 4 1/2" tappings and is guaranteed against failure due to material or manufacture defect for 10 years. Suitable for maximum 10 Bar working pressure.

## Actual Dimnsions



## Mounting details



Note: Dimensions H1, H2 and H3 refer to the Double Panel Plus and Double Convector radiators. Dimensions J1, J2 and J3 refer to the lugs on Convector radiators.

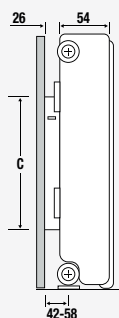
### MOUNTING DETAILS

	300	400	500	600	700
Radiator Height 'B'	300	400	500	600	700
Bracket Lug Heights 'M'	105	205	305	405	505
Connection Centres 'D'	253	353	453	553	653
Bracket Length 'C'	137	137	237	337	437
Top of Radiator to bottom of top lug 'L'	110	160	160	160	160
Bracket to top of Radiator	100	150	150	150	150

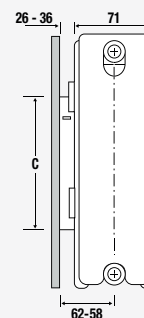
### BRACKET LUG LOCATIONS

Radiator Length mm	300	400	500	600	700	800	900	1000	1100	1200	1300	1400	1500	1600	1800	2000
A	295	395	495	595	695	795	895	995	1095	1195	1295	1395	1495	1595	1795	1995
H1	72.5	122.5	122.5	122.5	122.5	122.5	122.5	122.5	122.5	122.5	122.5	122.5	122.5	122.5	122.5	122.5
J1	85	135	160	160	160	160	160	160	160	160	160	160	160	160	160	160
H2	150	150	250	350	450	550	650	750	850	950	1050	1150	1250	1350	775	875
J2	125	125	175	275	375	475	575	675	775	875	975	1075	1175	1275	750	850
H3															775	875
J3															725	825
QTY	4	4	4	4	4	4	4	4	4	4	4	4	4	4	6	6

## type 11 Single Convector



## type 21 Double Panel Plus Convector



### type 11

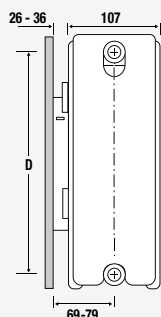
	CODE	HEIGHT	LENGTH	OUTPUT $\Delta T^{\circ}C$ OF 50	OUTPUT $\Delta T^{\circ}C$ OF 60	DRY WEIGHT KG	WATER CONTENT (L)
S114	S11404	400	400	253	321	6.4	0.9
	S11406	400	600	379	480	9.6	1.34
	S11408	400	800	506	641	12.8	1.79
	S11410	400	1000	632	801	16	2.24
	S11412	400	1200	758	961	19.2	2.69
	S11414	400	1400	885	1122	22.4	3.14
	S11416	400	1600	1011	1281	25.6	3.58
	S11418	400	1800	1138	1442	28.8	4.03
	S11420	400	2000	1264	1602	32	4.48
S115	S11504	500	400	300	380	8	1.07
	S11506	500	600	449	569	12	1.6
	S11508	500	800	599	759	16	2.14
	S11510	500	1000	749	949	20	2.67
	S11512	500	1200	899	1139	24	3.2
	S11514	500	1400	1049	1330	28	3.74
	S11516	500	1600	1198	1518	32	4.27
	S11518	500	1800	1348	1708	36	4.81
	S11520	500	2000	1498	1899	40	5.34
S116	S11604	600	400	346	439	9.6	1.24
	S11606	600	600	518	657	14.4	1.86
	S11608	600	800	691	876	19.2	2.48
	S11610	600	1000	864	1095	24	3.1
	S11612	600	1200	1037	1314	28.8	3.72
	S11614	600	1400	1210	1534	33.6	4.34
	S11616	600	1600	1382	1752	38.4	4.96
	S11618	600	1800	1555	1971	43.2	5.58
	S11620	600	2000	1728	2190	48	6.2
S117	S11704	700	400	390	494	11.36	1.41
	S11706	700	600	586	743	17.04	2.12
	S11708	700	800	781	990	22.72	2.82
	S11710	700	1000	976	1237	28.4	3.53
	S11712	700	1200	1171	1484	34.08	4.24
	S11714	700	1400	1366	1731	39.76	4.94

### type 21

	CODE	HEIGHT	LENGTH	OUTPUT $\Delta T^{\circ}C$ OF 50	OUTPUT $\Delta T^{\circ}C$ OF 60	DRY WEIGHT KG	WATER CONTENT (L)
S214	S21404	400	400	374	474	9.44	1.64
	S21406	400	600	560	710	14.16	2.46
	S21408	400	800	747	947	18.88	3.28
	S21410	400	1000	934	1184	23.6	4.1
	S21412	400	1200	1121	1421	28.32	4.92
	S21414	400	1400	1308	1657	33.04	5.74
	S21416	400	1600	1494	1894	37.76	6.56
	S21418	400	1800	1681	2131	42.48	7.38
	S21420	400	2000	1868	2368	47.2	8.2
S215	S21504	500	400	447	566	11.68	2.04
	S21506	500	600	671	850	17.52	3.06
	S21508	500	800	894	1133	23.36	4.08
	S21510	500	1000	1118	1417	29.2	5.1
	S21512	500	1200	1342	1701	35.04	6.12
	S21514	500	1400	1565	1984	40.88	7.14
	S21516	500	1600	1789	2267	46.72	8.16
	S21518	500	1800	2012	2550	52.56	9.18
	S21520	500	2000	2236	2834	58.4	10.2
S216	S21604	600	400	516	654	13.92	2.44
	S21606	600	600	774	981	20.88	3.66
	S21608	600	800	1032	1308	27.84	4.88
	S21610	600	1000	1290	1635	34.8	6.1
	S21612	600	1200	1548	1962	41.76	7.32
	S21614	600	1400	1806	2289	48.72	8.54
	S21616	600	1600	2064	2616	55.68	9.76
	S21618	600	1800	2322	2943	62.64	10.98
	S21620	600	2000	2580	3270	69.6	12.2
S217	S21704	700	400	580	735	16.32	2.85
	S21706	700	600	871	1104	24.48	4.27
	S21708	700	800	1161	1471	32.64	5.7
	S21710	700	1000	1451	1839	40.8	7.12
	S21712	700	1200	1751	2207	48.96	8.54
	S21714	700	1400	2031	2574	57.12	9.97



## type 22 Double Convector



### type 22

	CODE	HEIGHT	LENGTH	OUTPUT $\Delta T^{\circ}C$ OF 50	OUTPUT $\Delta T^{\circ}C$ OF 60	DRY WEIGHT KG	WATER CONTENT (L)
S224	S22404	400	400	502	636	11.2	1.64
	S22406	400	600	752	953	16.8	2.46
	S22408	400	800	1003	1271	22.4	3.28
	S22410	400	1000	1254	1589	28	4.1
	S22412	400	1200	1505	1907	33.6	4.92
	S22414	400	1400	1756	2226	39.2	5.74
	S22416	400	1600	2006	2542	44.8	6.56
	S22418	400	1800	2257	2861	50.45	7.38
	S22420	400	2000	2508	3179	56	8.2
S225	S22504	500	400	602	763	13.92	2.04
	S22506	500	600	902	1143	20.88	3.06
	S22508	500	800	1203	1525	27.84	4.08
	S22510	500	1000	1504	1906	34.8	5.1
	S22512	500	1200	1805	2288	41.76	6.12
	S22514	500	1400	2106	2669	48.72	7.14
	S22516	500	1600	2406	3049	55.68	8.16
	S22518	500	1800	2707	3431	62.64	9.18
	S22520	500	2000	3008	3812	69.6	10.2
S226	S22604	600	400	696	882	16.8	2.44
	S22606	600	600	1043	1322	25.2	3.66
	S22608	600	800	1391	1763	33.6	4.88
	S22610	600	1000	1739	2204	42	6.1
	S22612	600	1200	2087	2645	50.4	7.32
	S22614	600	1400	2435	3086	58.8	8.54
	S22616	600	1600	2782	3526	67.2	9.76
	S22618	600	1800	3130	3967	75.6	10.98
	S22620	600	2000	3478	4408	84	12.2
S227	S22704	700	400	785	995	19.68	2.85
	S22706	700	600	1177	1492	29.52	4.27
	S22708	700	800	1570	1990	39.36	5.7
	S22710	700	1000	1962	2487	49.2	7.12
	S22712	700	1200	2354	2984	59.04	8.54
	S22714	700	1400	2747	3482	68.88	9.97

The Caldo design heavy duty plank-effect panel radiator, **available in both horizontal** and **vertical** form is the ideal radiator where the **aesthetic quality & product strength** are of equal importance.



Manufactured from 1.5mm steel, with a vast array of sizes and guaranteed for 10 years against failure due to material or manufacture defect, you will find a Caldo radiator to suit your project requirements. The Caldo range offering **good looks**, **practicality** and **longevity** - the design radiator of choice.

## Summary of Full Range Heat Emissions Output: Watts Per Metre

### CVHL

PANEL	143	143	215	215	288	288	360	360	433	433	505	505	578	578	650	650	723	723	795	795	868	868	
FIN HEIGHT	70	143	143	215	215	288	288	360	360	433	433	505	505	578	578	650	650	723	723	795	795	868	868
HEAT ΔT50	208	268	330	392	455	518	632	681	723	794	817	901	918	1006	1024	1107	1138	1206	1258	1302	1389	1396	

### CVHLH

PANEL	143	143	215	215	288	288	360	360	433	433	505	505	578	578	650	650	723	723	795	795	868	868	
FIN HEIGHT	70	143	143	215	215	288	288	360	360	433	433	505	505	578	578	650	650	723	723	795	795	868	868
HEAT ΔT50	359	436	530	623	722	820	960	979	1110	1133	1253	1280	1392	1423	1525	1560	1655	1696	1780	1826	1903	1955	

### CVHLHL & CVHLHLF

PANEL	143	143	215	215	288	288	360	360	433	433	505	505	578	578	650	650	723	723	795	795	868	868	
FIN HEIGHT	70	143	143	215	215	288	288	360	360	433	433	505	505	578	578	650	650	723	723	795	795	868	868
HEAT ΔT50	470	659	783	906	1021	1136	1264	1349	1455	1555	1634	1749	1807	1938	1969	2119	2126	2296	2274	2466	2418	2634	

### CVHL HL3F

PANEL	143	215	288	360	433	505	578	650	723	795	868
FIN HEIGHT	143	215	288	360	433	505	578	650	723	795	868
HEAT ΔT50	737	1015	1278	1530	1752	1957	2154	2335	2505	2661	2806

Non standard RAL colours are available to special order.

Supplied with wall brackets.

Standard working pressure of 5.38 bar (tested to 7 bar) with operating of 10 bar as a special order.

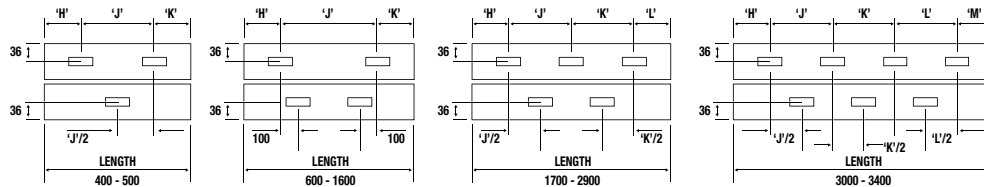
Supplied as standard with 4 1/2" sideconnections for B.O.E or T.B.O.E connections.

Special connections are available to special order together with floor mounting feet, extended headers and security brackets.

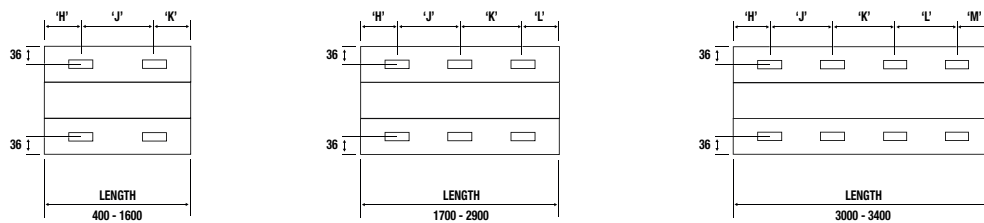
Special order items are subject to a cost surcharge.

## Support positions 400mm - 3400mm Long Horizontal Panel Range Bracket Locations

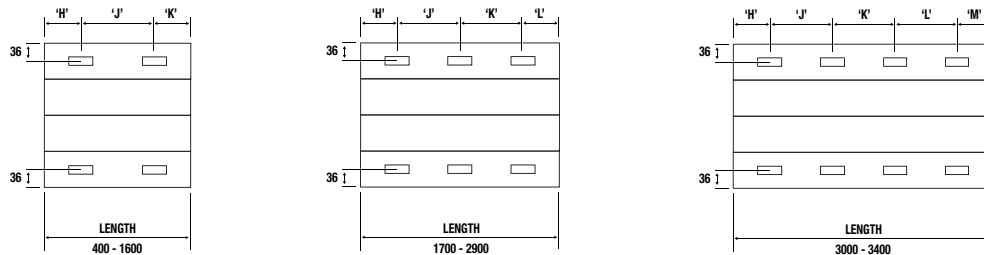
### 143mm High Horizontal Panel Radiators



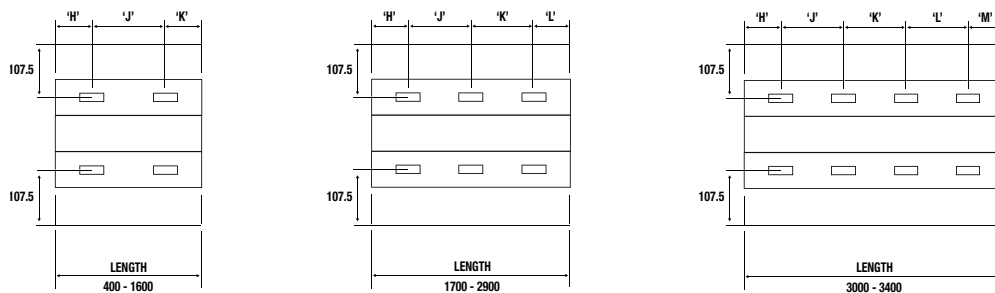
### 215mm High Horizontal Panel Radiators



### 288mm High Horizontal Panel Radiators



### 360mm - 868mm High Horizontal Panel Radiators



## Connection details and flow details

LENGTH	H	J	K	L	M	LENGTH	H	J	K	L	M	LENGTH	H	J	K	L	M
400	130	140	130	-	-	1600	140	1320	140	-	-	2800	150	1220	1280	150	-
500	140	220	140	-	-	1700	150	700	700	150	-	2900	140	1300	1320	140	-
600	150	300	150	-	-	1800	150	720	780	150	-	3000	150	900	900	900	150
700	150	400	150	-	-	1900	150	800	800	150	-	3100	150	920	960	920	150
800	140	520	140	-	-	2000	150	820	880	150	-	3200	140	980	960	980	140
900	150	600	150	-	-	2100	140	900	920	140	-	3300	150	1000	1000	1000	150
1000	140	720	140	-	-	2200	150	920	980	150	-	3400	150	1040	1020	1040	150
1100	150	800	150	-	-	2300	150	1000	1000	150	-						
1200	150	900	150	-	-	2400	140	1060	1060	140	-						
1300	140	1020	140	-	-	2500	150	1100	1100	150	-						
1400	150	1100	150	-	-	2600	150	1120	1180	150	-						
1500	150	1200	150	-	-	2700	140	1200	1220	140	-						

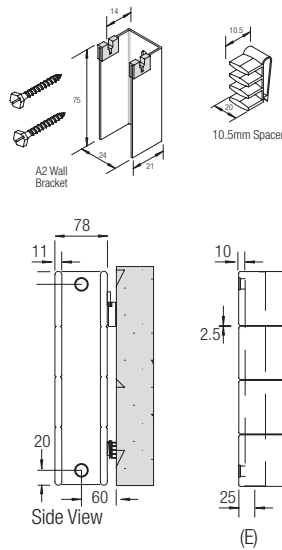
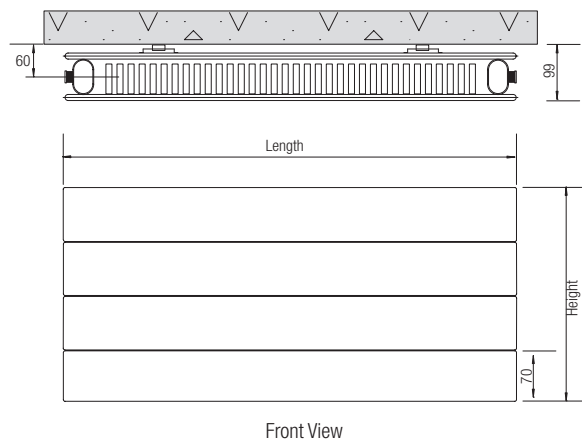
Ensure the installation and commissioning of the radiator is carried out in accordance with BS EN 14336:2004.

Use of a rust inhibitor is highly recommended. Failure to comply with BS 7593:2006 which encourages the use of a rust inhibitor to minimize likelihood of corrosion, may result in invalidation of manufacturer's warranty.

## Horizontal models

### type CVHLH

Standard model shown with 1/2" (15mm) ABCD connections



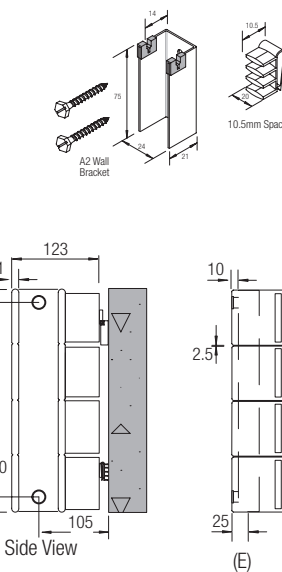
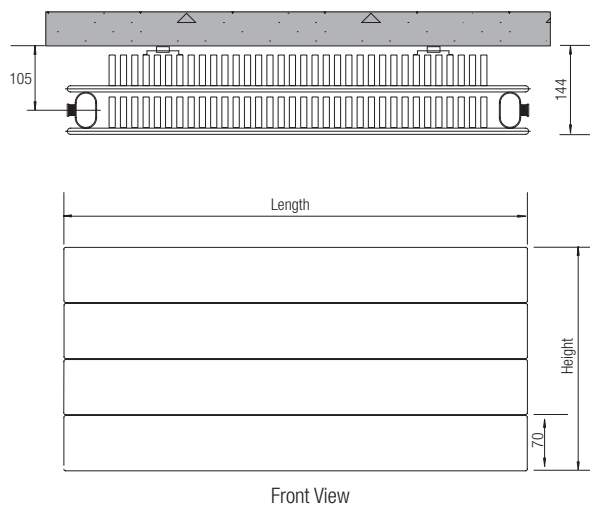
Length available from 400mm to 3400mm in increments of 100mm.

Height available from 143mm to 868mm in increments of 72.5.

Note: Reduced fin option is available on all radiators. However a reduced fin is not standard on radiators less than 360mm high.

### type CVHLHLF

Standard model shown with 1/2" (15mm) ABCD connections



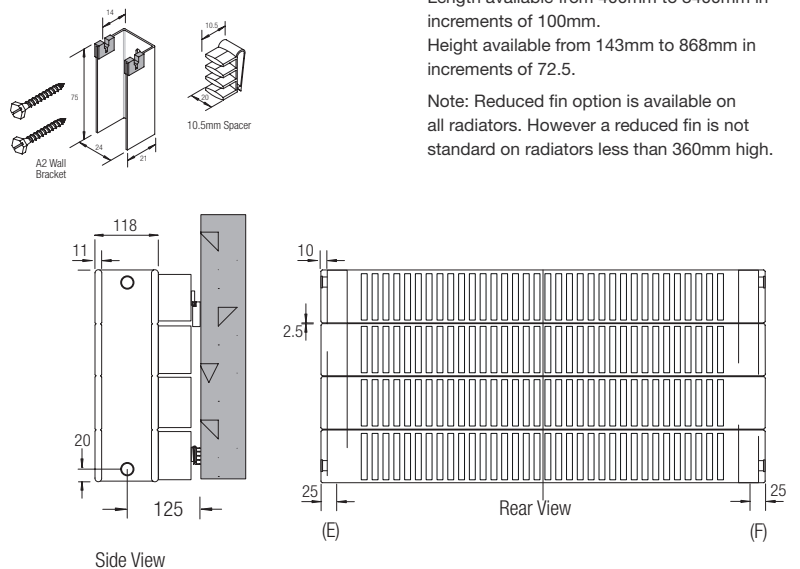
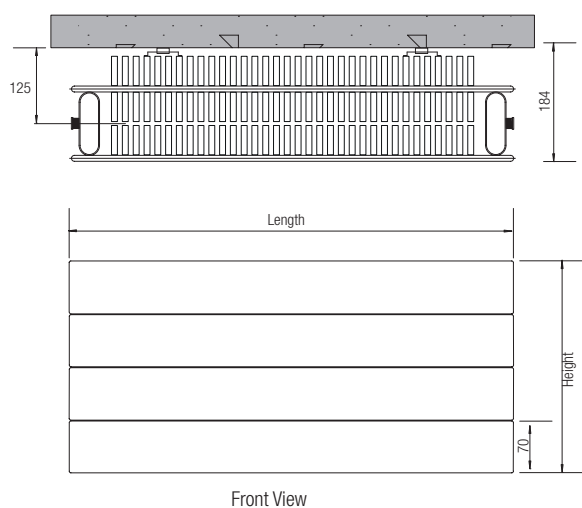
Length available from 400mm to 3400mm in increments of 100mm.

Height available from 143mm to 868mm in increments of 72.5.

Note: Reduced fin option is available on all radiators. However a reduced fin is not standard on radiators less than 360mm high.

### type CVHLHL3F

Standard model shown with 1/2" (15mm) ABCD connections



Length available from 400mm to 3400mm in increments of 100mm.

Height available from 143mm to 868mm in increments of 72.5.

Note: Reduced fin option is available on all radiators. However a reduced fin is not standard on radiators less than 360mm high.

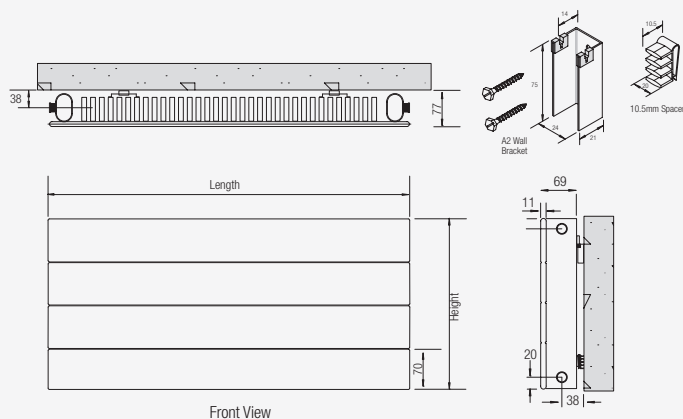


## CVHL Single Panel Convectors

type CVHL  
Standard model shown with 1/2" (15mm) ABCD connections

Length available from 400mm to 3400mm in increments of 100mm.  
Height available from 143mm to 868mm in increments of 72.5.

Note: Reduced fin option is available on all radiators. However a reduced fin is not standard on radiators less than 360mm high.



Front View

HEIGHT	LENGTH	DEPTH	OUTPUT		DRY WEIGHT KG	WATER CONTENT (L)	
			$\Delta T^{\circ}\text{C OF } 50$	$\Delta T^{\circ}\text{C OF } 60$			
CVHL 288	288	600	77	311	394	8.1	1.55
	288	800	77	414	525	10.8	2.06
	288	1000	77	518	657	13.5	2.58
	288	1200	77	622	788	16.2	3.1
	288	1400	77	725	919	18.9	3.61
	288	1600	77	829	1051	21.6	4.13
	288	1800	77	932	1181	24.3	4.64
	288	2000	77	1036	1313	27	5.16

HEIGHT	LENGTH	DEPTH	OUTPUT		DRY WEIGHT KG	WATER CONTENT (L)	
			$\Delta T^{\circ}\text{C OF } 50$	$\Delta T^{\circ}\text{C OF } 60$			
CVHL 433	433	500	77	362	459	8.86	2.04
	433	600	77	434	550	10.63	2.45
	433	700	77	506	641	12.4	2.86
	433	800	77	578	733	14.18	3.26
	433	900	77	651	825	15.95	3.67
	433	1000	77	723	916	17.72	4.08
	433	1200	77	868	1100	21.26	4.9
	433	1400	77	1012	1283	24.81	5.71
	433	1600	77	1157	1466	28.35	6.53
	433	1800	77	1301	1649	31.9	7.34
433	2000	77	1446	1833	35.44	8.16	

HEIGHT	LENGTH	DEPTH	OUTPUT		DRY WEIGHT KG	WATER CONTENT (L)	
			$\Delta T^{\circ}\text{C OF } 50$	$\Delta T^{\circ}\text{C OF } 60$			
CVHL 505	505	500	77	409	518	10.35	2.4
	505	600	77	490	621	12.42	2.88
	505	700	77	572	725	14.49	3.36
	505	800	77	654	829	16.56	3.84
	505	900	77	735	932	18.63	4.32
	505	1000	77	817	1035	20.7	4.8
	505	1100	77	899	1139	22.77	5.28
	505	1200	77	980	1242	24.84	5.76
	505	1400	77	1144	1450	28.98	6.72
	505	1600	77	1307	1657	33.12	7.68
	505	1800	77	1471	1864	37.26	8.64
	505	2000	77	1634	2071	41.4	9.6

HEIGHT	LENGTH	DEPTH	OUTPUT		DRY WEIGHT KG	WATER CONTENT (L)	
			$\Delta T^{\circ}\text{C OF } 50$	$\Delta T^{\circ}\text{C OF } 60$			
CVHL 578	578	500	77	459	582	11.86	2.81
	578	600	77	551	698	14.23	3.37
	578	700	77	643	815	16.6	3.93
	578	800	77	734	930	18.98	4.49
	578	900	77	826	1047	21.35	5.05
	578	1000	77	918	1164	23.72	5.61
	578	1100	77	1010	1280	26.09	6.17
	578	1200	77	1102	1397	28.46	6.73
	578	1400	77	1285	1629	33.21	7.85
	578	1600	77	1469	1862	37.95	8.98
	578	1800	77	1652	2094	42.7	10.1
	578	2000	77	1836	2327	47.44	11.22

HEIGHT	LENGTH	DEPTH	OUTPUT		DRY WEIGHT KG	WATER CONTENT (L)	
			$\Delta T^{\circ}\text{C OF } 50$	$\Delta T^{\circ}\text{C OF } 60$			
CVHL 650	650	500	77	512	649	13.35	3.2
	650	600	77	614	778	16.02	3.84
	650	700	77	717	909	18.69	4.48
	650	800	77	819	1038	21.36	5.12
	650	900	77	922	1169	24.03	5.76
	650	1000	77	1024	1298	26.7	6.4
	650	1100	77	1126	1427	29.37	7.04
	650	1200	77	1229	1558	32.04	7.68
	650	1400	77	1434	1817	37.38	8.96
	650	1600	77	1638	2076	42.72	10.24
	650	1800	77	1843	2336	48.06	11.52
	650	2000	77	2048	2596	53.4	12.8

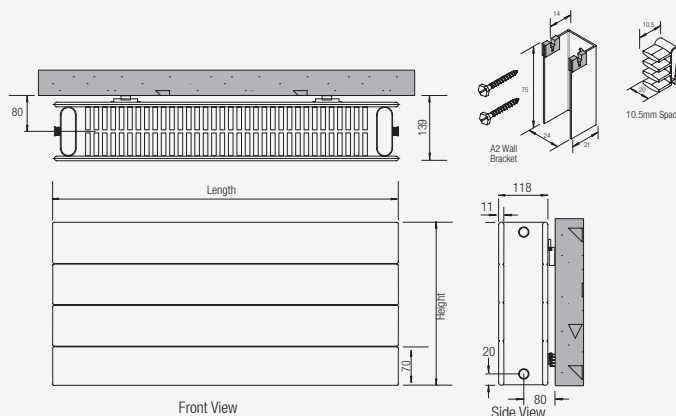
HEIGHT	LENGTH	DEPTH	OUTPUT		DRY WEIGHT KG	WATER CONTENT (L)	
			$\Delta T^{\circ}\text{C OF } 50$	$\Delta T^{\circ}\text{C OF } 60$			
CVHL 723	723	500	77	569	721	16.5	3.42
	723	600	77	683	866	19.8	4.1
	723	700	77	797	1010	23.1	4.79
	723	800	77	910	1153	26.4	5.47
	723	900	77	1024	1298	29.7	6.16
	723	1000	77	1138	1442	33	6.84
	723	1100	77	1252	1587	36.3	7.52
	723	1200	77	1366	1731	39.6	8.21
	723	1400	77	1593	2019	46.2	9.58
	723	1600	77	1821	2308	52.8	10.94
	723	1800	77	2048	2596	59.4	12.31
	723	2000	77	2276	2885	66	13.68

# CVHLHL Double Panel Convector

type CVHLH  
Standard model shown with 1/2" (15mm) ABCD connections

Length available from 400mm to 3400mm in increments of 100mm.  
Height available from 143mm to 868mm in increments of 72.5.

Note: Reduced fin option is available on all radiators. However a reduced fin is not standard on radiators less than 360mm high.

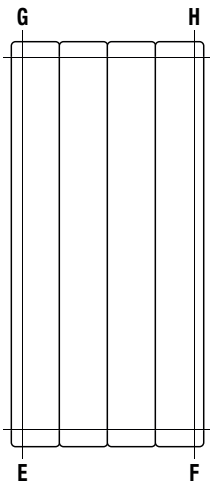


	HEIGHT	LENGTH	DEPTH	OUTPUT ΔT°C OF 50	OUTPUT ΔT°C OF 60	DRY WEIGHT KG	WATER CONTENT (L)
CVHLHL 143	143	800	139	527	668	10.94	2
	143	1000	139	659	835	13.67	2.5
	143	1200	139	791	1003	16.4	3
	143	1400	139	923	1170	19.14	3.5
	143	1600	139	1054	1336	21.87	4
	143	1800	139	1186	1503	24.61	4.5
	143	2000	139	1318	1670	27.34	5
CVHLHL 288	288	600	139	682	864	13.7	2.86
	288	800	139	909	1152	18.27	3.82
	288	1000	139	1136	1440	22.84	4.77
	288	1200	139	1363	1728	27.41	5.72
	288	1400	139	1590	2015	31.98	6.68
	288	1600	139	1818	2304	36.54	7.63
	288	1800	139	2045	2592	41.11	8.59
	288	2000	139	2272	2880	45.68	9.54
	CVHLHL 433	433	500	139	728	923	16.9
433		600	139	873	1106	20.27	4.39
433		700	139	1019	1292	23.65	5.12
433		800	139	1164	1475	27.03	5.85
433		900	139	1310	1660	30.41	6.58
433		1000	139	1455	1844	33.79	7.31
433		1200	139	1746	2213	40.55	8.77
433		1400	139	2037	2582	47.31	10.23
433		1600	139	2328	2951	54.06	11.7
433		1800	139	2619	3319	60.82	13.76
433		2000	139	2910	3688	67.58	14.62
CVHLHL 505	505	500	139	817	1036	19.8	4.25
	505	600	139	980	1242	23.76	5.1
	505	700	139	1144	1450	27.72	5.95
	505	800	139	1307	1657	31.68	6.8
	505	900	139	1471	1864	35.64	7.65
	505	1000	139	1634	2071	39.6	8.5
	505	1100	139	1797	2278	43.56	9.35
	505	1200	139	1961	2485	47.52	10.2
	505	1400	139	2288	2900	55.44	11.9
	505	1600	139	2614	3313	63.36	13.6
	505	1800	139	2941	3728	71.28	15.3
	505	2000	139	3268	4142	79.2	17

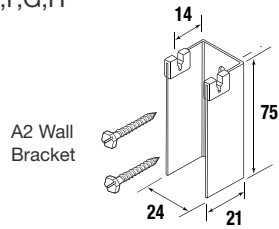
	HEIGHT	LENGTH	DEPTH	OUTPUT ΔT°C OF 50	OUTPUT ΔT°C OF 60	DRY WEIGHT KG	WATER CONTENT (L)
CVHLHL 578	578	500	139	904	1146	22.75	5.08
	578	600	139	1084	1374	27.29	6.1
	578	700	139	1265	1603	31.84	7.11
	578	800	139	1446	1833	36.39	8.13
	578	900	139	1626	2061	40.94	9.14
	578	1000	139	1807	2290	45.49	10.16
	578	1100	139	1988	2520	50.04	11.18
	578	1200	139	2168	2748	54.59	12.19
	578	1400	139	2530	3207	63.69	14.22
	578	1600	139	2891	3664	72.78	16.26
	578	1800	139	3253	4123	81.88	18.29
578	2000	139	3614	4580	90.98	20.32	
CVHLHL 650	650	500	139	985	1248	25.65	5.9
	650	600	139	1181	1497	30.78	7.08
	650	700	139	1378	1747	35.91	8.26
	650	800	139	1575	1996	41.04	9.44
	650	900	139	1772	2246	46.17	10.62
	650	1000	139	1969	2496	51.3	11.8
	650	1100	139	2166	2745	56.43	12.98
	650	1200	139	2363	2995	61.56	14.16
	650	1400	139	2757	3494	71.82	16.52
	650	1600	139	3150	3992	82.08	18.88
	650	1800	139	3544	4492	92.34	21.24
650	2000	139	3938	4991	102.6	23.6	
CVHLHL 723	723	500	139	1063	1347	28.53	6.61
	723	600	139	1276	1617	34.24	7.93
	723	700	139	1488	1886	39.94	9.25
	723	800	139	1701	2156	45.65	10.57
	723	900	139	1913	2425	51.35	11.89
	723	1000	139	2126	2695	57.06	13.21
	723	1100	139	2339	2965	62.77	14.53
	723	1200	139	2551	3233	68.47	15.85
	723	1400	139	2976	3772	79.98	18.49
	723	1600	139	3402	4312	91.3	21.14
	723	1800	139	3827	4850	102.71	23.78
	723	2000	139	4252	5389	114.12	26.42



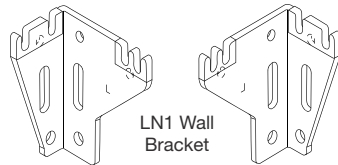
Manufactured from 1.5mm steel, with a vast array of sizes and guaranteed for 10 years against failure due to material or manufacture defect, you will find a Caldo radiator to suit your project requirements. The Caldo range offering **good looks, practicality and longevity** - the design radiator of choice.



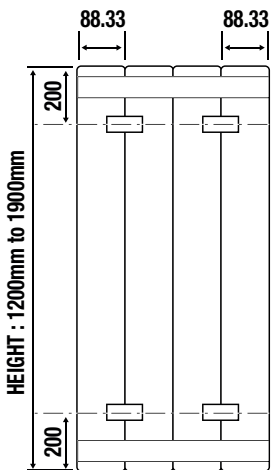
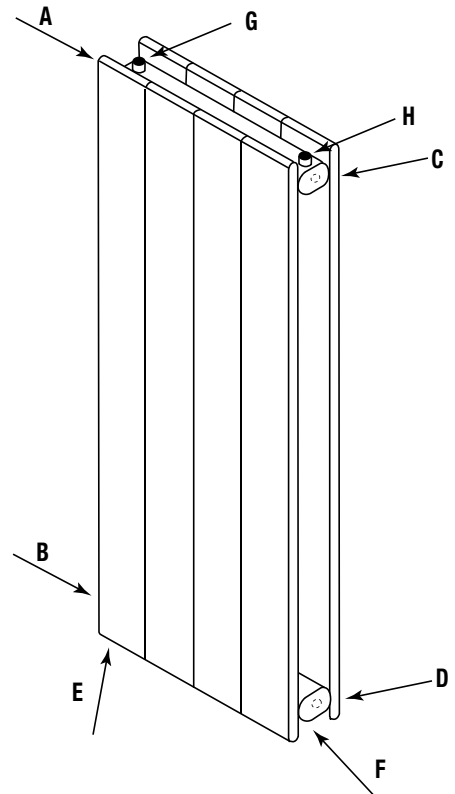
Standard Connections  
E,F,G,H



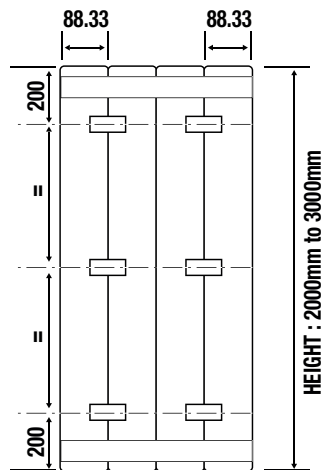
A2 Wall Bracket



LN1 Wall Bracket



ALL RADIATOR LENGTHS

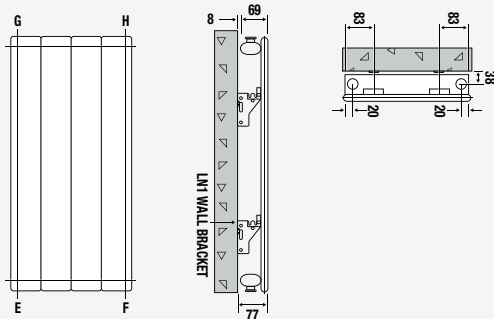


ALL RADIATOR LENGTHS

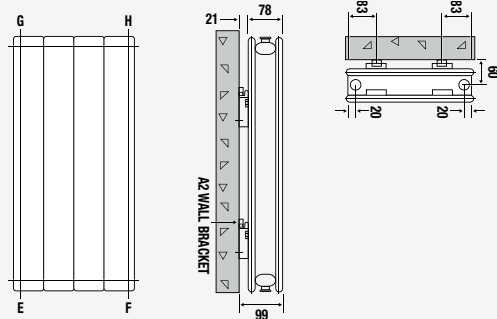
Ensure the installation and commissioning of the radiator is carried out in accordance with BS EN 14336:2004.

Use of a rust inhibitor is highly recommended. Failure to comply with BS 7593:2006 which encourages the use of a rust inhibitor to minimize likelihood of corrosion, may result in invalidation of manufacturer's warranty.

## CVP Single Panel



## CVDP Double Panel



	HEIGHT	LENGTH	DEPTH	OUTPUT $\Delta T^{\circ}C$ OF 50	OUTPUT $\Delta T^{\circ}C$ OF 60	DRY WEIGHT KG	WATER CONTENT (L)
1200	1200	433	77	623	790	15.36	4.26
	1200	505	77	716	908	17.92	4.97
1600	1600	288	77	559	709	13.28	3.4
	1600	360	77	686	870	16.6	4.25
	1600	433	77	811	1028	19.92	5.1
	1600	505	77	933	1183	23.24	5.95
	1600	578	77	1056	1338	26.56	6.8
	1600	650	77	1175	1489	29.88	7.65
	1600	723	77	1294	1640	33.2	8.5
	1600	868	77	1533	1943	39.84	10.2
1800	1800	288	77	625	792	14.8	3.72
	1800	360	77	765	970	18.5	4.65
	1800	433	77	906	1148	22.2	5.58
	1800	505	77	1042	1321	25.9	6.51
	1800	578	77	1178	1493	29.6	7.44
	1800	650	77	1311	1662	33.3	8.37
	1800	723	77	1445	1831	37	9.3
	1800	868	77	1712	2170	44.4	11.16
2000	2000	288	77	690	875	16.32	4.36
	2000	360	77	845	1071	20.4	5.45
	2000	433	77	1000	1267	24.48	6.54
	2000	505	77	1151	1459	28.56	7.63
	2000	578	77	1302	1650	32.64	8.72
	2000	650	77	1449	1837	36.72	9.81
	2000	723	77	1596	2023	40.8	10.9
	2000	795	77	1740	2205	44.88	11.99
	2000	868	77	1890	2395	48.96	13.08

	HEIGHT	LENGTH	DEPTH	OUTPUT $\Delta T^{\circ}C$ OF 50	OUTPUT $\Delta T^{\circ}C$ OF 60	DRY WEIGHT KG	WATER CONTENT (L)
1200	1200	433	99	966	1224	28.98	8.76
	1200	505	99	1110	1407	33.81	10.22
1600	1600	288	99	865	1096	25.16	7.84
	1600	360	99	1059	1342	31.45	9.8
	1600	433	99	1252	1587	37.74	11.76
	1600	505	99	1440	1825	44.03	13.72
	1600	578	99	1627	2062	50.32	15.68
	1600	650	99	1810	2294	56.61	17.64
	1600	723	99	1993	2526	62.9	19.6
	1600	868	99	2359	2990	75.48	23.52
1800	1800	288	99	963	1221	28.12	8.8
	1800	360	99	1179	1494	35.15	11
	1800	433	99	1394	1767	42.18	13.2
	1800	505	99	1603	2032	49.21	15.4
	1800	578	99	1811	2295	56.24	17.6
	1800	650	99	2014	2553	63.27	19.8
	1800	723	99	2218	2811	70.3	22
	1800	868	99	2626	3328	84.36	26.4
2000	2000	288	99	1061	1345	31.12	9.76
	2000	360	99	1299	1646	38.9	12.2
	2000	433	99	1535	1946	46.68	14.64
	2000	505	99	1765	2237	54.46	17.08
	2000	578	99	1994	2527	62.24	19.52
	2000	650	99	2218	2811	70.02	21.96
	2000	723	99	2443	3096	77.8	24.4
	2000	795	99	2662	3374	85.58	26.84
	2000	868	99	2891	3664	93.36	29.28

Non standard RAL colours available to special orders.

Supplied with wall brackets.

Standard working pressure of 5.38 bar (tested to 7 bar) with operating of 10 bar as a special order.

Supplied as standard with 4 1/2" connections for B.U.O.E or T.T.O.E connections.

Special connections are available to special order together with floor mounting feet, extended headers and security brackets.

Special order items are subject to a cost surcharge.

The Sensotherm Caldo Column Range offers our **heavy duty** 70mm plank effect range as a very **aesthetically pleasing** 'see-thru' steel column radiator.

Manufactured from 1.5mm steel, with a 10 year warranty against failure due to material or manufacture defect. This offers the system designer yet another optional style for strong aesthetic heating.



### Support positions over length range

#### For All Column Radiators

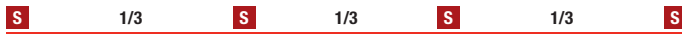
For Lengths 300mm - 1000mm



For Lengths 1001mm - 2000mm



For Lengths 2001mm - 3000mm

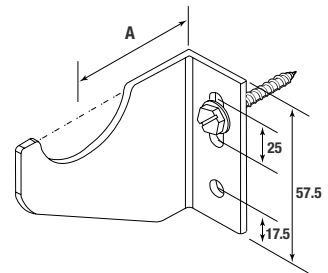


S = Support Positions

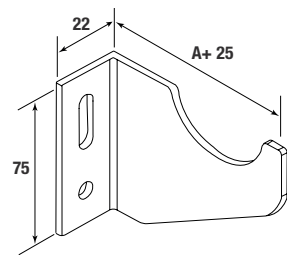
### Brackets

Column radiators are supplied as standard with wall mounting brackets. Left hand and right hand brackets (See illustration) are used for mounting the S70 type. The D70 requires a wider bracket (See illustration).

#### SVCS Left hand Wall Bracket

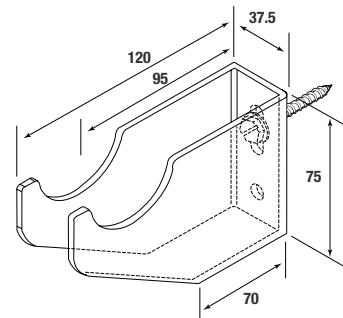


#### SVCS Right hand Wall Bracket



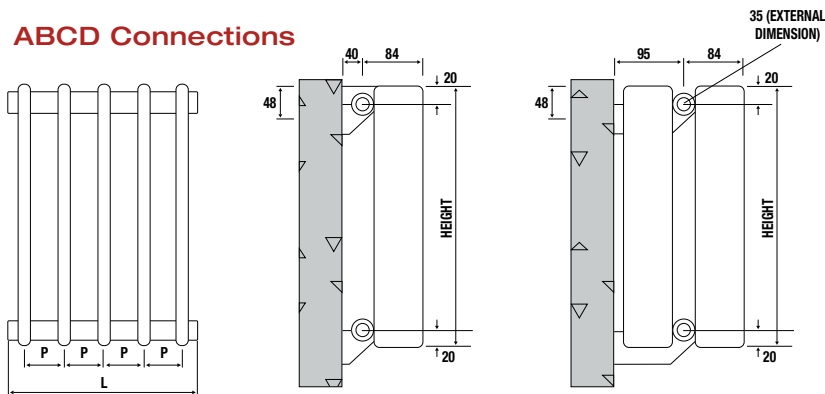
TYPE	DIMENSION A
SVCS	40mm

#### SVCD Wall Bracket

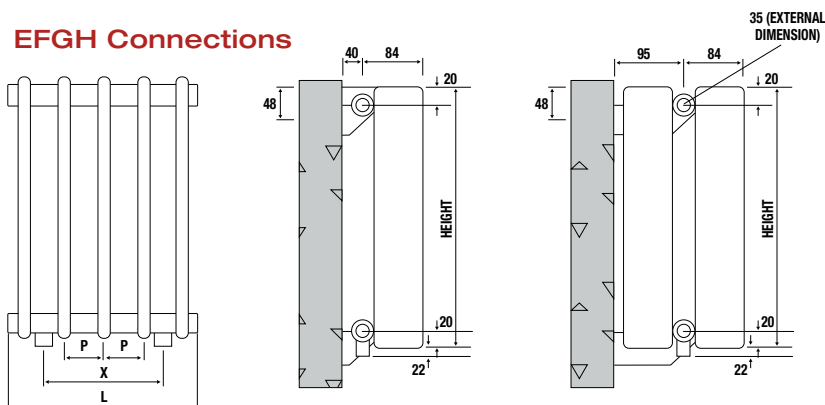


Please note, Sensotherm do not supply fixing screws.

### ABCD Connections

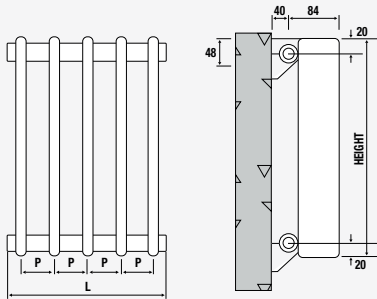


### EFGH Connections

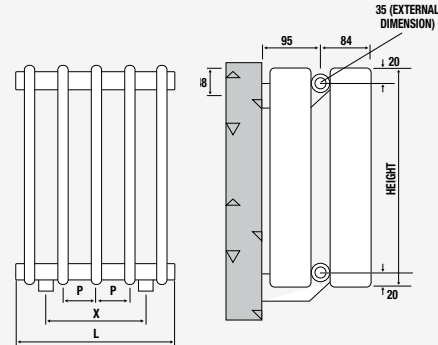


L = N x P  
 X + (N - 2) x P  
 L = Width of radiator  
 N = Number of Elements  
 P = Elements Pitch (40mm)  
 X = Centre to centre dimension for EFGH connections

## SVCS Single Column



## SVCD Double Column



	HEIGHT	LENGTH	DEPTH	OUTPUT $\Delta T^{\circ}C$ OF 50	OUTPUT $\Delta T^{\circ}C$ OF 60	DRY WEIGHT KG	WATER CONTENT (L)
SVCS 600	600	600	102	669	848	15.9	5.4
	600	800	102	892	1131	21.2	7.2
	600	920	102	1025	1299	24.4	8.3
	600	1000	102	1115	1413	26.5	9
	600	1200	102	1338	1696	31.8	10.8
	600	1400	102	1561	1978	37.1	12.6
	600	1600	102	1784	2261	42.4	14.4
SVCS 1800	1800	320	102	944	1196	23.8	7.5
	1800	360	102	1062	1346	26.8	8.5
	1800	400	102	1180	1496	29.8	9.4
	1800	480	102	1416	1795	35.8	11.3
	1800	520	102	1534	1944	38.7	12.2
	1800	600	102	1770	2243	44.7	14.1
	1800	680	102	2006	2542	50.7	16
	1800	720	102	2124	2692	53.6	16.9
	1800	800	102	2360	2991	59.6	18.8
	1800	840	102	2478	3141	62.6	19.7
	1800	880	102	2596	3290	65.6	20.7
SVCS 2000	2000	320	102	1040	1318	26.4	8.2
	2000	360	102	1170	1482	29.7	9.3
	2000	400	102	1300	1648	33	10.3
	2000	480	102	1560	1977	39.6	12.4
	2000	520	102	1690	2142	42.9	13.4
	2000	600	102	1950	2471	49.5	15.5
	2000	680	102	2210	2801	56.1	17.5
	2000	720	102	2340	2966	59.4	18.5
	2000	800	102	2600	3295	66	20.6
	2000	840	102	2730	3460	69.3	21.6
	2000	880	102	2860	3625	72.6	22.7

	HEIGHT	LENGTH	DEPTH	OUTPUT $\Delta T^{\circ}C$ OF 50	OUTPUT $\Delta T^{\circ}C$ OF 60	DRY WEIGHT KG	WATER CONTENT (L)
SVCD 600	600	600	168	1141	1446	34.4	10.4
	600	800	168	1522	1929	45.8	13.8
	600	920	168	1750	2218	52.7	15.9
	600	1000	168	2055	2605	57.3	17.3
	600	1200	168	2283	2894	68.7	20.7
	600	1400	168	2663	3375	80.2	24.2
	600	1600	168	3044	3858	91.6	27.6
SVCD 2000	2000	320	168	1776	2250	59	17.2
	2000	360	168	1998	2532	66.4	19.4
	2000	400	168	2220	2814	73.8	21.5
	2000	480	168	2664	3376	88.6	25.8
	2000	520	168	2886	3658	95.9	28
	2000	600	168	3330	4221	110.7	32.3
	2000	680	168	3774	4783	125.5	36.6
	2000	720	168	3996	5065	132.8	38.7
	2000	800	168	4440	5627	147.6	43
	2000	840	168	4662	5909	155	45.2
	2000	880	168	4884	6190	162.4	47.3

Non standard RAL colours available to special order.

Supplied with wall brackets.

Standard working pressure of 5.38 bar (tested to 7 bar) with operating of 10 bar as a special order.

Supplied as standard with 4 1/2" side connections for B.O.E or T.B.O.E connections.

Special connections are available to special order together with floor mounting feet, extended headers and security brackets.

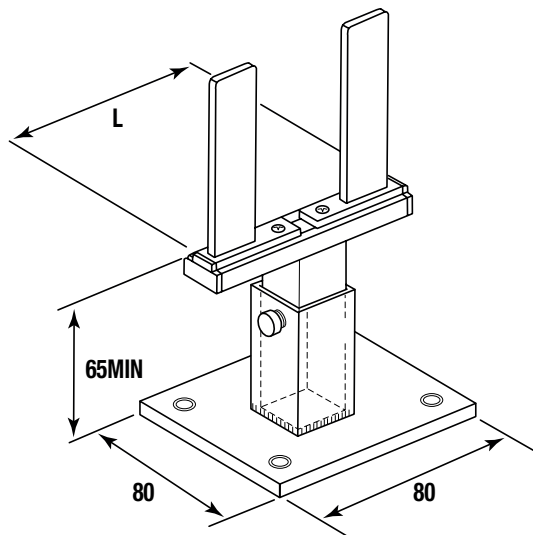
Special order items are subject to cost surcharge.

The Sensotherm Caldo **Low Level Convector** radiator is the perfect radiator for installation in front of glazing.

manufactured from 1.5mm steel, offering an extensive range of depths, in lengths from 500mm to 6000mm in 100mm increments and is guaranteed for 5 years against failure due to material or manufacture defect.

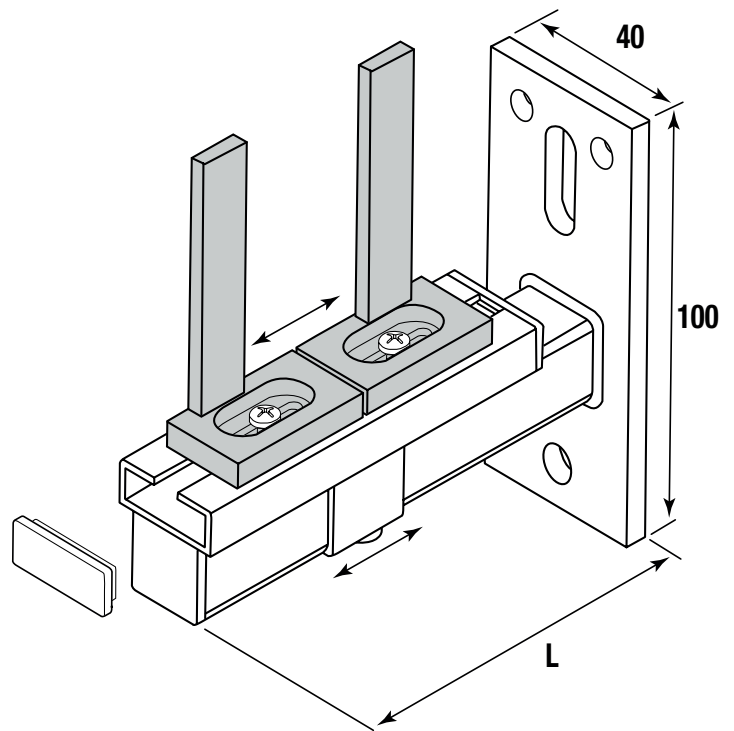


## Caldo Support Bracket Details



### Floor Mounting Bracket

HEIGHT MM	CODE
65 - 90	150 / 065 - W (White Power Coated)
90 - 120	150 / 090 - W (White Power Coated)
120 - 180	150 / 120 - W (White Power Coated)
180 - 270	150 / 180 - W (White Power Coated)
270 - 370	150 / 270 - W (White Power Coated)



### Floor Mounting Bracket

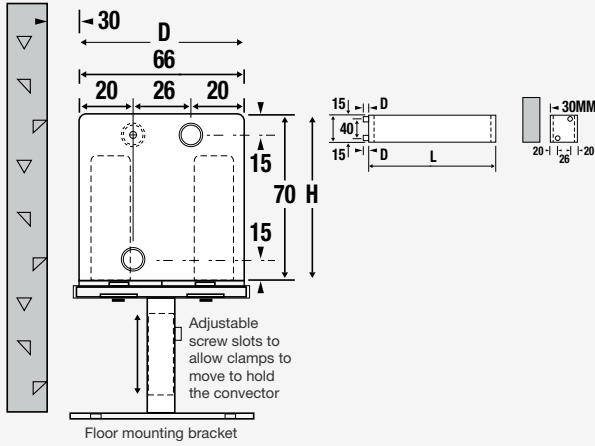
LENGTH	WALL TO BACK OF RADIATOR MINIMUM
100mm	30mm
150mm	30mm
200mm	30mm
250mm	30mm

### Pipe Connection Flow & Return

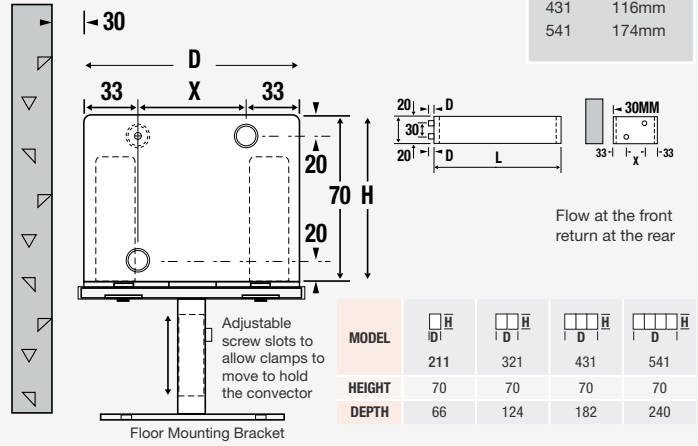
MODEL LENGTH	FROM	TO	NUMBER OF BRACKETS
ALL MODELS	500mm	2000mm	2
ALL MODELS	2200mm	4000mm	3
ALL MODELS	4200mm	6000mm	4

Non standard RAL colours are available to special order.  
 Standard working pressure of 5bar (tested to 6 bar) with operating of 10 bar as a special order.  
 Can be supplied with B.O.E ,T.B.O.E , SE or B.U.O.E connections.  
 Can be supplied with either wall or floor brackets.

## type 211



## type 321



TYPE	X
321	58mm
431	116mm
541	174mm

Flow at the front  
return at the rear

MODEL	$\square$ $\square$ $\square$ $\square$	$\square$ $\square$ $\square$ $\square$	$\square$ $\square$ $\square$ $\square$	$\square$ $\square$ $\square$ $\square$
HEIGHT	70	70	70	70
DEPTH	66	124	182	240

## type 211

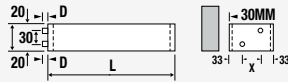
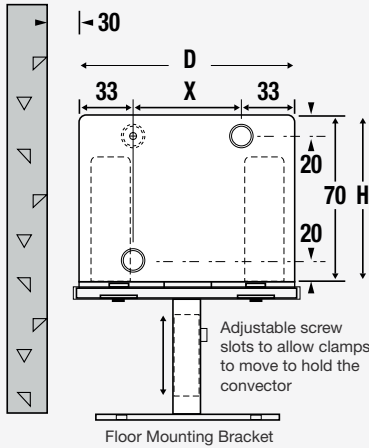
CODE	HEIGHT	LENGTH	OUTPUT $\Delta T^{\circ}C$ OF 50	OUTPUT $\Delta T^{\circ}C$ OF 60	DRY WEIGHT KG	WATER CONTENT (L)
211-05	70	500	179	227	2.85	0.35
211-06	70	600	215	273	3.42	0.42
211-07	70	700	251	318	3.99	0.49
211-08	70	800	286	362	4.56	0.56
211-09	70	900	322	408	5.13	0.63
211-10	70	1000	358	454	5.70	0.70
211-11	70	1100	394	499	6.27	0.77
211-12	70	1200	430	545	6.84	0.84
211-13	70	1300	465	589	7.41	0.91
211-14	70	1400	501	635	7.98	0.98
211-15	70	1500	537	681	8.55	1.05
211-16	70	1600	573	726	9.12	1.12
211-17	70	1700	609	772	9.69	1.19
211-18	70	1800	644	816	10.26	1.26
211-19	70	1900	680	862	10.83	1.33
211-20	70	2000	716	907	11.40	1.40
211-22	70	2200	788	999	12.54	1.54
211-24	70	2400	859	1089	13.68	1.68
211-26	70	2600	931	1180	14.82	1.82
211-28	70	2800	1002	1270	15.96	1.96
211-30	70	3000	1074	1361	17.10	2.10
211-32	70	3200	1146	1452	18.24	2.24
211-34	70	3400	1217	1542	19.38	2.38
211-36	70	3600	1289	1634	20.52	2.52
211-38	70	3800	1360	1724	21.66	2.66
211-40	70	4000	1432	1815	22.80	2.80
211-42	70	4200	1504	1906	23.94	2.94
211-44	70	4400	1575	1996	25.08	3.08
211-46	70	4600	1647	2087	26.22	3.22
211-48	70	4800	1718	2177	27.36	3.36
211-50	70	5000	1790	2269	28.50	3.50
211-52	70	5200	1862	2360	29.64	3.64
211-54	70	5400	1933	2450	30.78	3.78
211-56	70	5600	2005	2541	31.92	3.92
211-58	70	5800	2076	2631	33.06	4.06
211-60	70	6000	2148	2722	34.20	4.20

## type 321

CODE	HEIGHT	LENGTH	OUTPUT $\Delta T^{\circ}C$ OF 50	OUTPUT $\Delta T^{\circ}C$ OF 60	DRY WEIGHT KG	WATER CONTENT (L)
321-05	70	500	304	385	5.00	0.60
321-06	70	600	365	463	6.00	0.72
321-07	70	700	426	540	7.00	0.84
321-08	70	800	486	616	8.00	0.96
321-09	70	900	547	693	9.00	1.08
321-10	70	1000	608	771	10.00	1.20
321-11	70	1100	669	848	11.00	1.32
321-12	70	1200	730	925	12.00	1.44
321-13	70	1300	790	1001	13.00	1.56
321-14	70	1400	851	1079	14.00	1.68
321-15	70	1500	912	1156	15.00	1.80
321-16	70	1600	973	1233	16.00	1.92
321-17	70	1700	1034	1311	17.00	2.04
321-18	70	1800	1094	1387	18.00	2.16
321-19	70	1900	1155	1464	19.00	2.28
321-20	70	2000	1216	1541	20.00	2.40
321-22	70	2200	1338	1696	22.00	2.64
321-24	70	2400	1459	1849	24.00	2.88
321-26	70	2600	1581	2004	26.00	3.12
321-28	70	2800	1702	2157	28.00	3.36
321-30	70	3000	1824	2312	30.00	3.60
321-32	70	3200	1946	2466	32.00	3.84
321-34	70	3400	2067	2620	34.00	4.08
321-36	70	3600	2189	2774	36.00	4.32
321-38	70	3800	2310	2928	38.00	4.56
321-40	70	4000	2432	3082	40.00	4.80
321-42	70	4200	2554	3237	42.00	5.04
321-44	70	4400	2675	3390	44.00	5.28
321-46	70	4600	2797	3545	46.00	5.52
321-48	70	4800	2918	3698	48.00	5.76
321-50	70	5000	3040	3853	50.00	6.00
321-52	70	5200	3162	4008	52.00	6.24
321-54	70	5400	3283	4161	54.00	6.48
321-56	70	5600	3405	4316	56.00	6.72
321-58	70	5800	3526	4469	58.00	6.96
321-60	70	6000	3648	4624	60.00	7.20



## type 431, 541



Flow at the front  
return at the rear

TYPE	X
321	58mm
431	116mm
541	174mm

MODEL	$\frac{H}{D}$	$\frac{H}{D}$	$\frac{H}{D}$	$\frac{H}{D}$
	211	321	431	541
HEIGHT	70	70	70	70
DEPTH	66	124	182	240

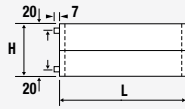
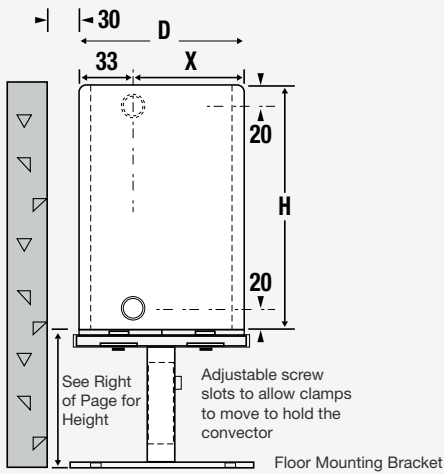
### type 431

CODE	HEIGHT	LENGTH	OUTPUT $\Delta T^{\circ}C$ OF 50	OUTPUT $\Delta T^{\circ}C$ OF 60	DRY WEIGHT KG	WATER CONTENT (L)
431-05	70	500	413	523	6.55	0.80
431-06	70	600	495	627	7.86	0.96
431-07	70	700	578	733	9.17	1.12
431-08	70	800	660	837	10.48	1.28
431-09	70	900	743	942	11.79	1.44
431-10	70	1000	825	1046	13.10	1.60
431-11	70	1100	908	1151	14.41	1.76
431-12	70	1200	990	1255	15.72	1.92
431-13	70	1300	1073	1360	17.03	2.08
431-14	70	1400	1155	1464	18.34	2.24
431-15	70	1500	1238	1569	19.65	2.40
431-16	70	1600	1320	1673	20.96	2.56
431-17	70	1700	1403	1778	22.27	2.72
431-18	70	1800	1485	1882	23.58	2.88
431-19	70	1900	1568	1987	24.89	3.04
431-20	70	2000	1650	2091	26.20	3.20
431-22	70	2200	1815	2300	28.82	3.52
431-24	70	2400	1980	2510	31.44	3.84
431-26	70	2600	2145	2719	34.06	4.16
431-28	70	2800	2310	2928	36.68	4.48
431-30	70	3000	2475	3137	39.30	4.80
431-32	70	3200	2640	3346	41.92	5.12
431-34	70	3400	2805	3555	44.54	5.44
431-36	70	3600	2970	3764	47.16	5.76
431-38	70	3800	3135	3973	49.78	6.08
431-40	70	4000	3300	4183	52.40	6.40
431-42	70	4200	3465	4392	55.02	6.72
431-44	70	4400	3630	4601	57.64	7.04
431-46	70	4600	3795	4810	60.26	7.36
431-48	70	4800	3960	5019	62.88	7.68
431-50	70	5000	4125	5228	65.50	8.00
431-52	70	5200	4290	5437	68.12	8.32
431-54	70	5400	4455	5646	70.74	8.64
431-56	70	5600	4620	5856	73.36	8.96
431-58	70	5800	4785	6065	75.98	9.28
431-60	70	6000	4950	6274	78.60	9.60

### type 541

CODE	HEIGHT	LENGTH	OUTPUT $\Delta T^{\circ}C$ OF 50	OUTPUT $\Delta T^{\circ}C$ OF 60	DRY WEIGHT KG	WATER CONTENT (L)
541-05	70	500	514	651	8.10	1.00
541-06	70	600	617	782	9.72	1.20
541-07	70	700	720	913	11.34	1.40
541-08	70	800	822	1042	12.96	1.60
541-09	70	900	925	1172	14.58	1.80
541-10	70	1000	1028	1303	16.20	2.00
541-11	70	1100	1131	1433	17.82	2.20
541-12	70	1200	1234	1564	19.44	2.40
541-13	70	1300	1336	1693	21.06	2.60
541-14	70	1400	1439	1824	22.68	2.80
541-15	70	1500	1542	1954	24.30	3.00
541-16	70	1600	1645	2085	25.92	3.20
541-17	70	1700	1748	2216	27.54	3.40
541-18	70	1800	1850	2345	29.16	3.60
541-19	70	1900	1953	2475	30.78	3.80
541-20	70	2000	2056	2606	32.40	4.00
541-22	70	2200	2262	2867	35.64	4.40
541-24	70	2400	2467	3127	38.88	4.80
541-26	70	2600	2673	3388	42.12	5.20
541-28	70	2800	2878	3648	45.36	5.60
541-30	70	3000	3084	3909	48.60	6.00
541-32	70	3200	3290	4170	51.84	6.40
541-34	70	3400	3495	4430	55.08	6.80
541-36	70	3600	3701	4691	58.32	7.20
541-38	70	3800	3906	4951	61.56	7.60
541-40	70	4000	4112	5212	64.80	8.00
541-42	70	4200	4318	5473	68.04	8.40
541-44	70	4400	4523	5733	71.28	8.80
541-46	70	4600	4729	5994	74.52	9.20
541-48	70	4800	4934	6253	77.76	9.60
541-50	70	5000	5140	6515	81.00	10.00
541-52	70	5200	5346	6776	84.24	10.40
541-54	70	5400	5551	7035	87.48	10.80
541-56	70	5600	5757	7297	90.72	11.20
541-58	70	5800	5962	7556	93.96	11.60
541-60	70	6000	6168	7817	97.20	12.00

## type 212, 322



Pipe Connection flow & return dependent on Customers requirements

TYPE	X
212, 213, 214,	33mm
322, 323, 324,	91mm
432, 433, 434,	149mm
542, 543, 544,	207mm

MODEL				
MODEL	212	322	432	542
HEIGHT	140	140	140	140
DEPTH	66	124	182	240

MODEL				
MODEL	213	323	433	543
HEIGHT	210	210	210	210
DEPTH	66	124	182	240

MODEL				
MODEL	214	324	434	544
HEIGHT	280	280	280	280
DEPTH	66	124	182	240

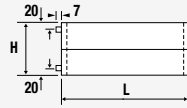
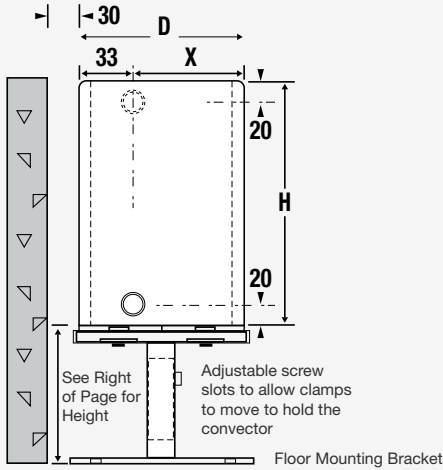
## type 212

CODE	HEIGHT	LENGTH	OUTPUT $\Delta T^{\circ}C$ OF 50	OUTPUT $\Delta T^{\circ}C$ OF 60	DRY WEIGHT KG	WATER CONTENT (L)
212-05	140	500	278	352	5.55	0.75
212-06	140	600	334	423	6.66	0.90
212-07	140	700	389	493	7.77	1.05
212-08	140	800	445	564	8.88	1.20
212-09	140	900	500	634	9.99	1.35
212-10	140	1000	556	705	11.10	1.50
212-11	140	1100	612	776	12.21	1.65
212-12	140	1200	667	845	13.32	1.80
212-13	140	1300	723	916	14.43	1.95
212-14	140	1400	778	986	15.54	2.10
212-15	140	1500	834	1057	16.65	2.25
212-16	140	1600	890	1128	17.76	2.40
212-17	140	1700	945	1198	18.87	2.55
212-18	140	1800	1001	1269	19.98	2.70
212-19	140	1900	1056	1338	21.09	2.85
212-20	140	2000	1112	1409	22.20	3.00
212-22	140	2200	1223	1550	24.42	3.30
212-24	140	2400	1334	1691	26.64	3.60
212-26	140	2600	1446	1833	28.86	3.90
212-28	140	2800	1557	1973	31.08	4.20
212-30	140	3000	1668	2114	33.30	4.50
212-32	140	3200	1779	2255	35.52	4.80
212-34	140	3400	1890	2395	37.74	5.10
212-36	140	3600	2002	2537	39.96	5.40
212-38	140	3800	2113	2678	42.18	5.70
212-40	140	4000	2224	2819	44.40	6.00
212-42	140	4200	2335	2959	46.62	6.30
212-44	140	4400	2446	3100	48.84	6.60
212-46	140	4600	2558	3242	51.06	6.90
212-48	140	4800	2669	3383	53.28	7.20
212-50	140	5000	2780	3523	55.50	7.50
212-52	140	5200	2891	3664	57.72	7.80
212-54	140	5400	3002	3805	59.94	8.10
212-56	140	5600	3114	3947	62.16	8.40
212-58	140	5800	3225	4087	64.38	8.70
212-60	140	6000	3336	4228	66.60	9.00

## type 322

CODE	HEIGHT	LENGTH	OUTPUT $\Delta T^{\circ}C$ OF 50	OUTPUT $\Delta T^{\circ}C$ OF 60	DRY WEIGHT KG	WATER CONTENT (L)
322-05	140	500	479	607	9.75	1.15
322-06	140	600	574	728	11.70	1.38
322-07	140	700	670	849	13.65	1.61
322-08	140	800	766	971	15.60	1.84
322-09	140	900	861	1091	17.55	2.07
322-10	140	1000	957	1213	19.50	2.30
322-11	140	1100	1053	1335	21.45	2.53
322-12	140	1200	1148	1455	23.40	2.76
322-13	140	1300	1244	1577	25.35	2.99
322-14	140	1400	1340	1698	27.30	3.22
322-15	140	1500	1436	1820	29.25	3.45
322-16	140	1600	1531	1940	31.20	3.68
322-17	140	1700	1627	2062	33.15	3.91
322-18	140	1800	1723	2184	35.10	4.14
322-19	140	1900	1818	2304	37.05	4.37
322-20	140	2000	1914	2426	39.00	4.60
322-22	140	2200	2105	2668	42.90	5.06
322-24	140	2400	2297	2911	46.80	5.52
322-26	140	2600	2488	3153	50.70	5.98
322-28	140	2800	2680	3297	54.60	6.44
322-30	140	3000	2871	3639	58.50	6.90
322-32	140	3200	3062	3881	62.40	7.36
322-34	140	3400	3254	4124	66.30	7.82
322-36	140	3600	3445	4366	70.20	8.28
322-38	140	3800	3637	4610	74.10	8.74
322-40	140	4000	3828	4852	78.00	9.20
322-42	140	4200	4019	5094	81.90	9.66
322-44	140	4400	4211	5337	85.80	10.12
322-46	140	4600	4402	5579	89.70	10.58
322-48	140	4800	4594	5823	93.60	11.04
322-50	140	5000	4785	6065	97.50	11.50
322-52	140	5200	4976	6307	101.40	11.96
322-54	140	5400	5168	6550	105.30	12.42
322-56	140	5600	5359	6792	109.20	12.88
322-58	140	5800	5551	7035	113.10	13.34
322-60	140	6000	5742	7278	117.00	13.80

## type 432, 542



Pipe Connection flow & return dependent on Customers requirements

TYPE	X
212, 213, 214,	33mm
322, 323, 324,	91mm
432, 433, 434,	149mm
542, 543, 544,	207mm

MODEL				
HEIGHT	140	140	140	140
DEPTH	66	124	182	240
MODEL				
HEIGHT	210	210	210	210
DEPTH	66	124	182	240
MODEL				
HEIGHT	280	280	280	280
DEPTH	66	124	182	240

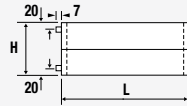
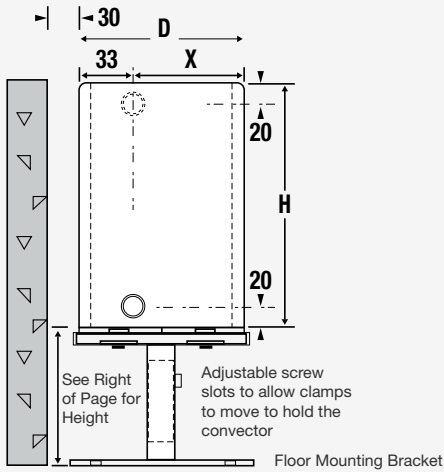
## type 432

## type 542

CODE	HEIGHT	LENGTH	OUTPUT ΔT°C OF 50	OUTPUT ΔT°C OF 60	DRY WEIGHT KG	WATER CONTENT (L)
432-05	140	500	666	844	12.85	1.60
432-06	140	600	799	1013	15.42	1.92
432-07	140	700	932	1181	17.99	2.24
432-08	140	800	1066	1351	20.56	2.56
432-09	140	900	1199	1520	23.13	2.88
432-10	140	1000	1332	1688	25.70	3.20
432-11	140	1100	1465	1857	28.27	3.52
432-12	140	1200	1598	2025	30.84	3.84
432-13	140	1300	1732	2195	33.41	4.16
432-14	140	1400	1865	2364	35.98	4.48
432-15	140	1500	1998	2532	38.55	4.80
432-16	140	1600	2131	2701	41.12	5.12
432-17	140	1700	2264	2869	43.69	5.44
432-18	140	1800	2398	3039	46.26	5.76
432-19	140	1900	2531	3208	48.83	6.08
432-20	140	2000	2664	3376	51.4	6.40
432-22	140	2200	2930	3714	56.54	7.04
432-24	140	2400	3197	4052	61.68	7.68
432-26	140	2600	3463	4389	66.82	8.32
432-28	140	2800	3730	4728	71.96	8.96
432-30	140	3000	3996	5065	77.10	9.60
432-32	140	3200	4262	5402	82.24	10.24
432-34	140	3400	4529	5740	87.38	10.88
432-36	140	3600	4795	6077	92.52	11.52
432-38	140	3800	5062	6416	97.66	12.16
432-40	140	4000	5328	6753	102.80	12.80
432-42	140	4200	5594	7090	107.94	13.44
432-44	140	4400	5861	7428	113.08	14.08
432-46	140	4600	6127	7766	118.22	14.72
432-48	140	4800	6394	8104	123.36	15.36
432-50	140	5000	6660	8441	128.50	16.00
432-52	140	5200	6926	8778	133.64	16.64
432-54	140	5400	7193	9117	138.78	17.28
432-56	140	5600	7459	9454	143.92	17.92
432-58	140	5800	7726	9792	149.06	18.56
432-60	140	6000	7992	10129	154.20	19.20

CODE	HEIGHT	LENGTH	OUTPUT ΔT°C OF 50	OUTPUT ΔT°C OF 60	DRY WEIGHT KG	WATER CONTENT (L)
542-05	140	500	840	1065	15.95	2.00
542-06	140	600	1007	1276	19.14	2.40
542-07	140	700	1175	1489	22.33	2.80
542-08	140	800	1343	1702	25.52	3.20
542-09	140	900	1511	1915	28.71	3.60
542-10	140	1000	1679	2128	31.90	4.00
542-11	140	1100	1847	2341	35.09	4.40
542-12	140	1200	2015	2554	38.28	4.80
542-13	140	1300	2183	2767	41.47	5.20
542-14	140	1400	2351	2980	44.66	5.60
542-15	140	1500	2519	3193	47.85	6.00
542-16	140	1600	2686	3404	51.04	6.40
542-17	140	1700	2854	3617	54.23	6.80
542-18	140	1800	3022	3830	57.42	7.20
542-19	140	1900	3190	4043	60.61	7.60
542-20	140	2000	3358	4256	63.80	8.00
542-22	140	2200	3694	4682	70.18	8.80
542-24	140	2400	4030	5108	76.56	9.60
542-26	140	2600	4365	5532	82.94	10.40
542-28	140	2800	4701	5958	89.32	11.20
542-30	140	3000	5037	6384	95.70	12.00
542-32	140	3200	5373	6810	102.08	12.80
542-34	140	3400	5709	7236	108.46	13.60
542-36	140	3600	6044	7660	114.84	14.40
542-38	140	3800	6380	8086	121.22	15.20
542-40	140	4000	6716	8512	127.60	16.00
542-42	140	4200	7052	8938	133.98	16.80
542-44	140	4400	7388	9364	140.36	17.60
542-46	140	4600	7723	9788	146.74	18.40
542-48	140	4800	8059	10214	153.12	19.20
542-50	140	5000	8395	10640	159.50	20.00
542-52	140	5200	8731	11066	165.88	20.80
542-54	140	5400	9067	11492	172.26	21.60
542-56	140	5600	9402	11916	178.64	22.40
542-58	140	5800	9738	12342	185.02	23.20
542-60	140	6000	10074	12768	191.40	24.00

## type 213, 323



Pipe Connection flow & return dependent on Customers requirements

TYPE	X
212, 213, 214,	33mm
322, 323, 324,	91mm
432, 433, 434,	149mm
542, 543, 544,	207mm

MODEL				
HEIGHT	140	140	140	140
DEPTH	66	124	182	240
MODEL				
HEIGHT	210	210	210	210
DEPTH	66	124	182	240
MODEL				
HEIGHT	280	280	280	280
DEPTH	66	124	182	240

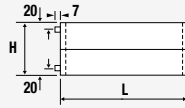
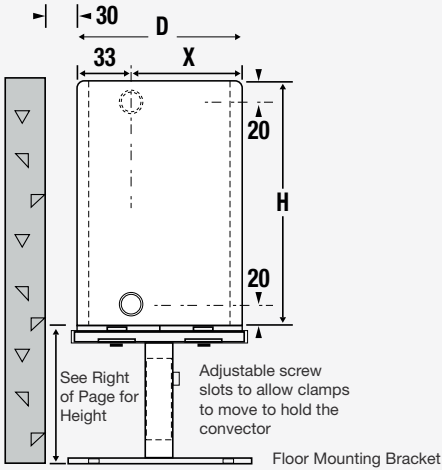
## type 213

CODE	HEIGHT	LENGTH	OUTPUT ΔT°C OF 50	OUTPUT ΔT°C OF 60	DRY WEIGHT KG	WATER CONTENT (L)
213-05	210	500	368	466	8.25	1.10
213-06	210	600	441	559	9.90	1.32
213-07	210	700	515	653	11.55	1.54
213-08	210	800	588	745	13.20	1.76
213-09	210	900	662	839	14.85	1.98
213-10	210	1000	735	932	16.50	2.20
213-11	210	1100	809	1025	18.15	2.42
213-12	210	1200	882	1118	19.80	2.64
213-13	210	1300	956	1212	21.45	2.86
213-14	210	1400	1029	1304	23.10	3.08
213-15	210	1500	1103	1398	24.75	3.30
213-16	210	1600	1176	1490	26.40	3.52
213-17	210	1700	1250	1584	28.05	3.74
213-18	210	1800	1323	1677	29.70	3.96
213-19	210	1900	1397	1771	31.35	4.18
213-20	210	2000	1470	1863	33.00	4.40
213-22	210	2200	1617	2049	36.30	4.84
213-24	210	2400	1764	2236	39.60	5.28
213-26	210	2600	1911	2422	42.90	5.72
213-28	210	2800	2058	2608	46.20	6.16
213-30	210	3000	2205	2795	49.50	6.60
213-32	210	3200	2352	2981	52.80	7.04
213-34	210	3400	2499	3167	56.10	7.48
213-36	210	3600	2646	3354	59.40	7.92
213-38	210	3800	2793	3540	62.70	8.36
213-40	210	4000	2940	3726	66.00	8.80
213-42	210	4200	3087	3913	69.30	9.24
213-44	210	4400	3234	4099	72.60	9.68
213-46	210	4600	3381	4285	75.90	10.12
213-48	210	4800	3528	4471	79.20	10.56
213-50	210	5000	3675	4658	82.50	11.00
213-52	210	5200	3822	4844	85.80	11.44
213-54	210	5400	3969	5030	89.10	11.88
213-56	210	5600	4116	5217	92.40	12.32
213-58	210	5800	4263	5403	95.70	12.76
213-60	210	6000	4410	5589	99.00	13.20

## type 323

CODE	HEIGHT	LENGTH	OUTPUT ΔT°C OF 50	OUTPUT ΔT°C OF 60	DRY WEIGHT KG	WATER CONTENT (L)
323-05	210	500	629	797	14.50	1.75
323-06	210	600	754	956	17.40	2.10
323-07	210	700	880	1115	20.30	2.45
323-08	210	800	1006	1275	23.20	2.80
323-09	210	900	1131	1433	26.10	3.15
323-10	210	1000	1257	1593	29.00	3.50
323-11	210	1100	1383	1753	31.90	3.85
323-12	210	1200	1508	1911	34.80	4.20
323-13	210	1300	1634	2071	37.70	4.55
323-14	210	1400	1760	2231	40.60	4.90
323-15	210	1500	1886	2390	43.50	5.25
323-16	210	1600	2011	2549	46.40	5.60
323-17	210	1700	2137	2709	49.30	5.95
323-18	210	1800	2263	2868	52.20	6.30
323-19	210	1900	2388	3027	55.10	6.65
323-20	210	2000	2514	3186	58.00	7.00
323-22	210	2200	2765	3504	63.80	7.70
323-24	210	2400	3017	3824	69.60	8.40
323-26	210	2600	3268	4142	75.40	9.10
323-28	210	2800	3520	4461	81.20	9.80
323-30	210	3000	3771	4779	87.00	10.50
323-32	210	3200	4022	5098	92.80	11.20
323-34	210	3400	4274	5417	98.60	11.90
323-36	210	3600	4525	5735	104.40	12.60
323-38	210	3800	4777	6055	110.20	13.30
323-40	210	4000	5028	6373	116.00	14.00
323-42	210	4200	5279	6691	121.80	14.70
323-44	210	4400	5531	7010	127.60	15.40
323-46	210	4600	5782	7328	133.40	16.10
323-48	210	4800	6034	7648	139.20	16.80
323-50	210	5000	6285	7966	145.00	17.50
323-52	210	5200	6536	8284	150.80	18.20
323-54	210	5400	6788	8603	156.60	18.90
323-56	210	5600	7039	8921	162.40	19.60
323-58	210	5800	7291	9241	168.20	20.30
323-60	210	6000	7542	9559	174.00	21.00

## type 433, 543



Pipe Connection flow & return dependent on Customers requirements

TYPE	X
212, 213, 214,	33mm
322, 323, 324,	91mm
432, 433, 434,	149mm
542, 543, 544,	207mm

MODEL				
MODEL	D1	D	D	D
HEIGHT	212	322	432	542
HEIGHT	140	140	140	140
DEPTH	66	124	182	240

MODEL				
MODEL	D1	D	D	D
HEIGHT	213	323	433	543
HEIGHT	210	210	210	210
DEPTH	66	124	182	240

MODEL				
MODEL	D1	D	D	D
HEIGHT	214	324	434	544
HEIGHT	280	280	280	280
DEPTH	66	124	182	240

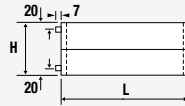
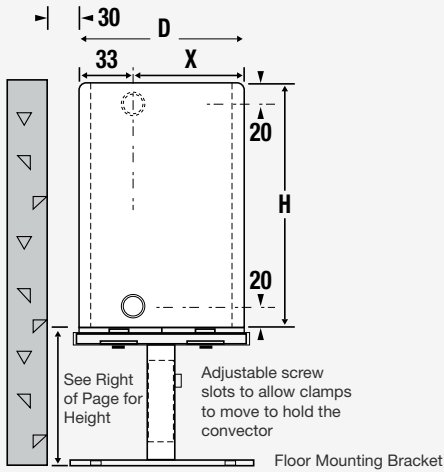
## type 433

CODE	HEIGHT	LENGTH	OUTPUT ΔT°C OF 50	OUTPUT ΔT°C OF 60	DRY WEIGHT KG	WATER CONTENT (L)
433-05	210	500	877	1112	19.15	2.40
433-06	210	600	1052	1333	22.98	2.88
433-07	210	700	1228	1556	26.81	3.36
433-08	210	800	1403	1778	30.64	3.84
433-09	210	900	1579	2001	34.47	4.32
433-10	210	1000	1754	2223	38.30	4.80
433-11	210	1100	1929	2445	42.13	5.28
433-12	210	1200	2105	2668	45.96	5.76
433-13	210	1300	2280	2890	49.79	6.24
433-14	210	1400	2456	3113	53.62	6.72
433-15	210	1500	2631	3335	57.45	7.20
433-16	210	1600	2806	3556	61.28	7.68
433-17	210	1700	2982	3779	65.11	8.16
433-18	210	1800	3157	4001	68.94	8.64
433-19	210	1900	3333	4224	72.77	9.12
433-20	210	2000	3508	4446	76.60	9.60
433-22	210	2200	3859	4891	84.26	10.56
433-24	210	2400	4210	5336	91.92	11.52
433-26	210	2600	4560	5779	99.58	12.48
433-28	210	2800	4911	6224	107.24	13.44
433-30	210	3000	5262	6669	114.90	14.40
433-32	210	3200	5613	7114	122.56	15.36
433-34	210	3400	5964	7559	130.22	16.32
433-36	210	3600	6314	8003	137.88	17.28
433-38	210	3800	6665	8447	145.54	18.24
433-40	210	4000	7016	8892	153.20	19.20
433-42	210	4200	7367	9337	160.86	20.16
433-44	210	4400	7718	9782	168.52	21.12
433-46	210	4600	8068	10226	176.18	22.08
433-48	210	4800	8419	10670	183.84	23.04
433-50	210	5000	8770	11115	191.50	24.00
433-52	210	5200	9121	11560	199.16	24.96
433-54	210	5400	9472	12005	206.82	25.92
433-56	210	5600	9822	12449	214.48	26.88
433-58	210	5800	10173	12894	222.14	27.84
433-60	210	6000	10524	13338	229.80	28.80

## type 543

CODE	HEIGHT	LENGTH	OUTPUT ΔT°C OF 50	OUTPUT ΔT°C OF 60	DRY WEIGHT KG	WATER CONTENT (L)
543-05	210	500	1107	1403	23.80	3.00
543-06	210	600	1328	1683	28.56	3.60
543-07	210	700	1550	1965	33.32	4.20
543-08	210	800	1771	2245	38.08	4.80
543-09	210	900	1993	2526	42.84	5.40
543-10	210	1000	2214	2806	47.60	6.00
543-11	210	1100	2435	3086	52.36	6.60
543-12	210	1200	2657	3368	57.12	7.20
543-13	210	1300	2878	3648	61.88	7.80
543-14	210	1400	3100	3929	66.64	8.40
543-15	210	1500	3321	4209	71.40	9.00
543-16	210	1600	3542	4489	76.16	9.60
543-17	210	1700	3764	4771	80.92	10.20
543-18	210	1800	3985	5051	85.68	10.80
543-19	210	1900	4207	5332	90.44	11.40
543-20	210	2000	4428	5612	95.20	12.00
543-22	210	2200	4871	6174	104.72	13.20
543-24	210	2400	5314	6735	114.24	14.40
543-26	210	2600	5756	7295	123.76	15.60
543-28	210	2800	6199	7857	133.28	16.80
543-30	210	3000	6642	8418	142.80	18.00
543-32	210	3200	7085	8980	152.32	19.20
543-34	210	3400	7528	9541	161.84	20.40
543-36	210	3600	7970	10101	171.36	21.60
543-38	210	3800	8413	10663	180.88	22.80
543-40	210	4000	8856	11224	190.40	24.00
543-42	210	4200	9299	11786	199.92	25.20
543-44	210	4400	9742	12347	209.44	26.40
543-46	210	4600	10184	12907	218.96	27.60
543-48	210	4800	10627	13469	228.48	28.80
543-50	210	5000	11070	14030	238.00	30.00
543-52	210	5200	11513	14592	247.52	31.20
543-54	210	5400	11956	15153	257.04	32.40
543-56	210	5600	12398	15714	266.56	33.60
543-58	210	5800	12841	16275	276.08	34.80
543-60	210	6000	13284	16837	285.60	36.00

## type 214, 324



Pipe Connection flow & return dependent on Customers requirements

TYPE	X
212, 213, 214,	33mm
322, 323, 324,	91mm
432, 433, 434,	149mm
542, 543, 544,	207mm

MODEL				
HEIGHT	140	140	140	140
DEPTH	66	124	182	240
MODEL				
HEIGHT	210	210	210	210
DEPTH	66	124	182	240
MODEL				
HEIGHT	280	280	280	280
DEPTH	66	124	182	240

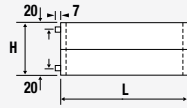
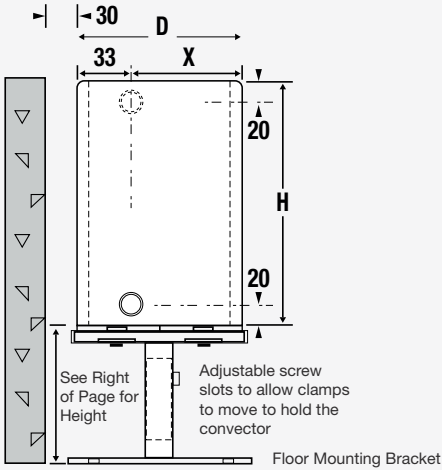
## type 214

CODE	HEIGHT	LENGTH	OUTPUT ΔT°C OF 50	OUTPUT ΔT°C OF 60	DRY WEIGHT KG	WATER CONTENT (L)
214-05	280	500	446	565	11.00	1.50
214-06	280	600	535	678	13.20	1.80
214-07	280	700	624	791	15.40	2.10
214-08	280	800	714	905	17.60	2.40
214-09	280	900	803	1018	19.80	2.70
214-10	280	1000	892	1131	22.00	3.00
214-11	280	1100	981	1243	24.20	3.30
214-12	280	1200	1070	1356	26.40	3.60
214-13	280	1300	1160	1470	28.60	3.90
214-14	280	1400	1249	1583	30.80	4.20
214-15	280	1500	1338	1696	33.00	4.50
214-16	280	1600	1427	1809	35.20	4.80
214-17	280	1700	1516	1921	37.40	5.10
214-18	280	1800	1606	2035	39.60	5.40
214-19	280	1900	1695	2148	41.80	5.70
214-20	280	2000	1784	2261	44.00	6.00
214-22	280	2200	1962	2487	48.40	6.60
214-24	280	2400	2141	2714	52.80	7.20
214-26	280	2600	2319	2939	57.20	7.80
214-28	280	2800	2498	3166	61.60	8.40
214-30	280	3000	2676	3392	66.00	9.00
214-32	280	3200	2854	3617	70.40	9.60
214-34	280	3400	3033	3844	74.80	10.20
214-36	280	3600	3211	4070	79.20	10.80
214-38	280	3800	3390	4297	83.60	11.40
214-40	280	4000	3568	4522	88.00	12.00
214-42	280	4200	3746	4748	92.40	12.60
214-44	280	4400	3925	4975	96.80	13.20
214-46	280	4600	4103	5200	101.20	13.80
214-48	280	4800	4282	5427	105.60	14.40
214-50	280	5000	4460	5653	110.00	15.00
214-52	280	5200	4638	5878	114.40	15.60
214-54	280	5400	4817	6105	118.80	16.20
214-56	280	5600	4995	6331	123.20	16.80
214-58	280	5800	5174	6558	127.60	17.40
214-60	280	6000	5352	6783	132.00	18.00

## type 324

CODE	HEIGHT	LENGTH	OUTPUT ΔT°C OF 50	OUTPUT ΔT°C OF 60	DRY WEIGHT KG	WATER CONTENT (L)
324-05	280	500	736	933	19.25	2.35
324-06	280	600	883	1119	23.10	2.82
324-07	280	700	1030	1305	26.95	3.29
324-08	280	800	1177	1492	30.80	3.76
324-09	280	900	1324	1678	34.65	4.23
324-10	280	1000	1471	1864	38.50	4.70
324-11	280	1100	1618	2051	42.35	5.17
324-12	280	1200	1765	2237	46.20	5.64
324-13	280	1300	1912	2423	50.05	6.11
324-14	280	1400	2059	2610	53.90	6.58
324-15	280	1500	2207	2797	57.75	7.05
324-16	280	1600	2354	2984	61.60	7.52
324-17	280	1700	2501	3170	65.45	7.99
324-18	280	1800	2648	3356	69.30	8.46
324-19	280	1900	2795	3542	73.15	8.93
324-20	280	2000	2942	3729	77.00	9.40
324-22	280	2200	3236	4101	84.70	10.34
324-24	280	2400	3530	4474	92.40	11.28
324-26	280	2600	3825	4848	100.10	12.22
324-28	280	2800	4119	5221	107.80	13.16
324-30	280	3000	4413	5593	115.50	14.10
324-32	280	3200	4707	5966	123.20	15.04
324-34	280	3400	5001	6338	130.90	15.98
324-36	280	3600	5296	6712	138.60	16.92
324-38	280	3800	5590	7085	146.30	17.86
324-40	280	4000	5884	7458	154.00	18.80
324-42	280	4200	6178	7830	161.70	19.74
324-44	280	4400	6472	8203	169.40	20.68
324-46	280	4600	6767	8577	177.10	21.62
324-48	280	4800	7061	8949	184.80	22.56
324-50	280	5000	7355	9322	192.50	23.50
324-52	280	5200	7649	9695	200.20	24.44
324-54	280	5400	7943	10067	207.90	25.38
324-56	280	5600	8238	10441	215.60	26.32
324-58	280	5800	8532	10814	223.30	27.26
324-60	280	6000	8826	11186	231.00	28.20

## type 434, 544



Pipe Connection flow & return dependent on Customers requirements

TYPE	X
212, 213, 214,	33mm
322, 323, 324,	91mm
432, 433, 434,	149mm
542, 543, 544,	207mm

MODEL				
	D1	D	D	D
MODEL	212	322	432	542
HEIGHT	140	140	140	140
DEPTH	66	124	182	240
MODEL				
	D1	D	D	D
MODEL	213	323	433	543
HEIGHT	210	210	210	210
DEPTH	66	124	182	240
MODEL				
	D1	D	D	D
MODEL	214	324	434	544
HEIGHT	280	280	280	280
DEPTH	66	124	182	240

## type 434

CODE	HEIGHT	LENGTH	OUTPUT ΔT°C OF 50	OUTPUT ΔT°C OF 60	DRY WEIGHT KG	WATER CONTENT (L)
434-05	280	500	1013	1284	25.45	3.20
434-06	280	600	1216	1541	30.54	3.84
434-07	280	700	1418	1797	35.63	4.48
434-08	280	800	1621	2055	40.72	5.12
434-09	280	900	1823	2311	45.81	5.76
434-10	280	1000	2026	2568	50.90	6.40
434-11	280	1100	2229	2825	55.99	7.04
434-12	280	1200	2431	3081	61.08	7.68
434-13	280	1300	2634	3338	66.17	8.32
434-14	280	1400	2836	3594	71.26	8.96
434-15	280	1500	3039	3852	76.35	9.60
434-16	280	1600	3242	4109	81.44	10.24
434-17	280	1700	3444	4365	86.53	10.88
434-18	280	1800	3647	4622	91.62	11.52
434-19	280	1900	3849	4878	96.71	12.16
434-20	280	2000	4052	5136	101.80	12.80
434-22	280	2200	4457	5649	111.98	14.08
434-24	280	2400	4862	6162	122.16	15.36
434-26	280	2600	5268	6677	132.34	16.64
434-28	280	2800	5673	7190	142.52	17.92
434-30	280	3000	6078	7703	152.70	19.20
434-32	280	3200	6483	8217	162.88	20.48
434-34	280	3400	6888	8730	173.06	21.76
434-36	280	3600	7294	9245	183.24	23.04
434-38	280	3800	7699	9758	193.42	24.32
434-40	280	4000	8104	10271	203.60	25.60
434-42	280	4200	8509	10785	213.78	26.88
434-44	280	4400	8914	11298	223.96	28.16
434-46	280	4600	9320	11812	234.14	29.44
434-48	280	4800	9725	12326	244.32	30.72
434-50	280	5000	10130	12839	254.50	32.00
434-52	280	5200	10535	13352	264.68	33.28
434-54	280	5400	10940	13866	274.86	34.56
434-56	280	5600	11346	14380	285.04	35.84
434-58	280	5800	11751	14894	295.22	37.12
434-60	280	6000	12156	15407	305.40	38.40

## type 544

CODE	HEIGHT	LENGTH	OUTPUT ΔT°C OF 50	OUTPUT ΔT°C OF 60	DRY WEIGHT KG	WATER CONTENT (L)
544-05	280	500	1295	1641	31.65	4.00
544-06	280	600	1554	1970	37.98	4.80
544-07	280	700	1813	2298	44.31	5.60
544-08	280	800	2072	2626	50.64	6.40
544-09	280	900	2331	2954	56.97	7.20
544-10	280	1000	2590	3283	63.30	8.00
544-11	280	1100	2849	3611	69.63	8.80
544-12	280	1200	3108	3939	75.96	9.60
544-13	280	1300	3367	4267	82.29	10.40
544-14	280	1400	3626	4596	88.62	11.20
544-15	280	1500	3885	4924	94.95	12.00
544-16	280	1600	4144	5252	101.28	12.80
544-17	280	1700	4403	5580	107.61	13.60
544-18	280	1800	4662	5909	113.94	14.40
544-19	280	1900	4921	6237	120.27	15.20
544-20	280	2000	5180	6565	126.60	16.00
544-22	280	2200	5698	7222	139.26	17.60
544-24	280	2400	6216	7878	151.92	19.20
544-26	280	2600	6734	8535	164.58	20.80
544-28	280	2800	7252	9191	177.24	22.40
544-30	280	3000	7770	9848	189.90	24.00
544-32	280	3200	8288	10504	202.56	25.60
544-34	280	3400	8806	11161	215.22	27.20
544-36	280	3600	9324	11817	227.88	28.80
544-38	280	3800	9842	12474	240.54	30.40
544-40	280	4000	10360	13131	253.20	32.00
544-42	280	4200	10878	13787	265.86	33.60
544-44	280	4400	11396	14444	278.52	35.20
544-46	280	4600	11914	15100	291.18	36.80
544-48	280	4800	12432	15757	303.84	38.40
544-50	280	5000	12950	16413	316.50	40.00
544-52	280	5200	13468	17070	329.16	41.60
544-54	280	5400	13986	17726	341.82	43.20
544-56	280	5600	14504	18383	354.48	44.80
544-58	280	5800	15022	19039	367.14	46.40
544-60	280	6000	15540	19696	379.80	48.00

Sensotherms impressive warranty against failure due to material or manufacture defect is valid on systems adhering to BS EN 12828:2003 Heating Systems In Building Design For Water Based Heating Systems and BS EN 14336:2004 Installation And Commissioning Of Water Based Systems. It is recommended installers observe and adhere to British Standards Code Of Practice For The Treatment Of Water In Domestic Hot Water Central Heating Systems and BS 7593:2006. Failure to observe this may invalidate the Warranty.

Sensotherm reserve the right to amend specifications due to constant product development.

Tolerances are within the limits set under EN442.

© Caldo 05-15



# Senso therm

*heat with style*

Stafford Park 16,  
Telford,  
Shropshire,  
TF3 3BS  
United Kingdom

Email: [sales@sensotherm.co.uk](mailto:sales@sensotherm.co.uk)  
Tel: +44 (0)1952 292219  
Fax: +44 (0)1952 292128